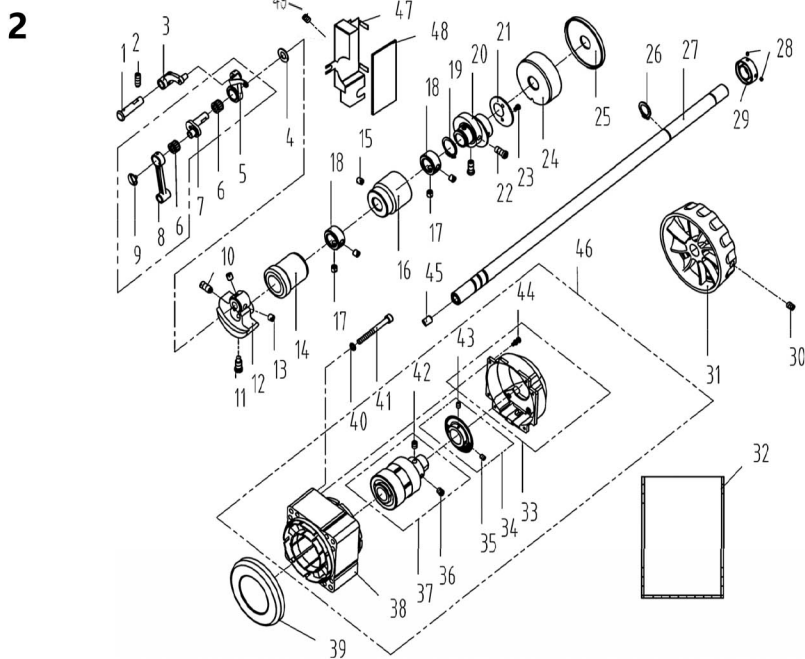


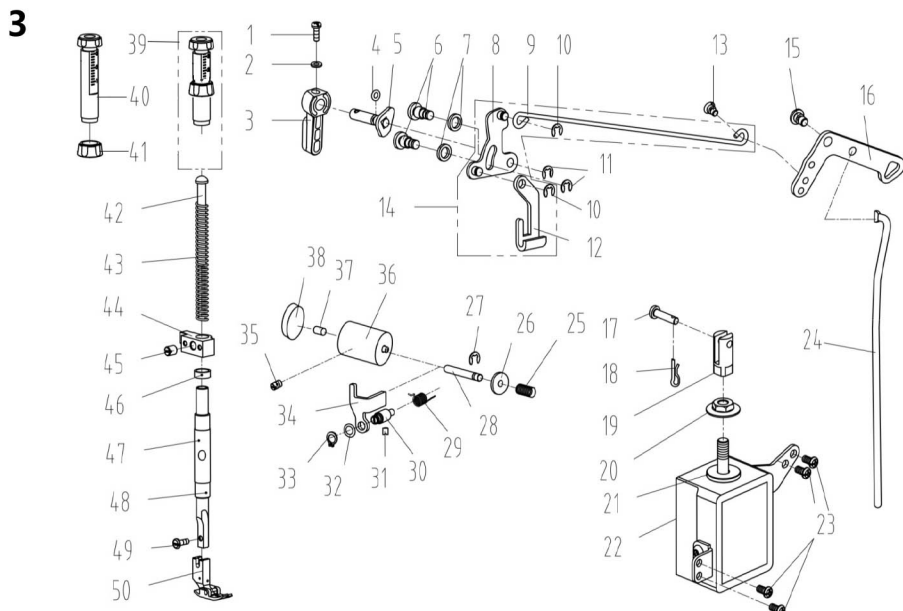
#### 1. 机壳、外装部件/Machine Frame & Miscellaneous Cover Components

| 序号 NO | 公司件号 Part NO | 名称 PartName           | 零件描述 Description                         | 数量 Number |
|-------|--------------|-----------------------|--|-----------|
| 1     | 101S11001    | 螺钉SM3/16"×28 L=9      | Screw SM3/16"×28 L=9                     | 15        |
| 2     | 10122003     | 面板调节孔螺塞               | Rubber plug                              | 2         |
| 3     | 115037001    | 面板商标牌                 | Head card                                | 1         |
| 4     | 930000262    | 面板(喷漆)                | Face plate asm                           | 1         |
| 5     | 115001003    | 面板                    | Face plate asm                           | 1         |
| 6     | 13813005     | 左线钩                   | Thread guide left                        | 1         |
| 7     | 115022002    | 面板垫                   | Face plate gasket                        | 1         |
| 8     | 101S11027    | 螺钉SM1/8"×44 L=3.4     | Screw SM1/8"×44 L=3.4                    | 1         |
| 9     | 113812019    | 面部防油板                 | Face oil shield asm                      | 1         |
|       | 11412082     | 面部防油板(厚料)             | Face oil shield asm(H)                   | 1         |
| 10    | 11503002100  | 倒缝开关组件(三开关)(琦星)       | Three switch components(Q)               | 1         |
|       | 11503000600  | 倒缝开关组件(三开关)(鲍麦)       | Three switch components(Power Max)       | 1         |
| 11    | 101S11004    | 螺钉SM3/16"×28 L=7      | Screw SM3/16"×28 L=7                     | 2         |
| 12    | 13812018     | 挑线杆防护罩                | Thread take-up lever cover               | 1         |
| 13    | 10122004     | 针杆曲柄螺孔塞               | Rubber plug                              | 1         |
| 14    | 10122005     | 挑线连杆销螺孔塞              | Rubber plug                              | 1         |
| 15    | 101S11004    | 螺钉SM3/16"×28 L=7      | Screw SM3/16"×28 L=7                     | 1         |
| 16    | 13512004     | 三孔线钩                  | 3-hole thread guide                      | 1         |
| 17    | 10122005     | 挑线连杆销螺孔塞              | Rubber plug                              | 1         |
| 18    | 114511015    | 螺钉SM9/64"×40 L=6      | Screw SM9/64"×40 L=6                     | 2         |
| 19    | 11419001     | 割线刀                   | Knife                                    | 1         |
| 20    | 138505001    | 螺钉M3 L=12             | Screw M3 L=12                            | 2         |
| 21    | 13822001     | 操作屏孔塞                 | Rubber plug                              | 2         |
| 22    | 21012018     | 油封垫                   | Oil sealing washer                       | 1         |
| 23    | 21022007     | 油封                    | Rubber plug                              | 1         |
| 24    | 114922003    | 后窗板垫                  | Side plate gasket                        | 1         |
| 25    | 114912001    | 后窗板                   | Side plate                               | 1         |
| 26    | 930000236    | 后窗板(喷漆)               | Side plate                               | 1         |
| 27    | 13812109     | 侧盖固定板                 | Fixed plate                              | 1         |
| 28    | S04010       | 螺钉M4 L=5.5            | ScrewM4 L=5.5                            | 1         |
| 29    | H05002       | 卡簧3                   | Circlip 3                                | 1         |
| 30    | 138530007    | 侧盖螺钉SM3/16"×28        | Screw SM3/16"×28                         | 1         |
| 31    | 113811004    | 尼龙扎带                  | Cable band                               | 6         |
| 32    | 115026002    | 电控罩壳销                 | Pin                                      | 1         |
| 33    | 11503001400  | 一体机电控罩壳(鲍麦)           | Servo motor box(Power Max)               | 1         |
|       | 11503003100  | 一体机电控罩壳(鲍麦)(+)        | Servo motor box(Power Max)(+)            | 1         |
| 34    | 11503001300  | 一体机电控组件(鲍麦)           | Electronic components(Power Max)         | 1         |
| 35    | 11503001100  | 一体机电控组件(琦星)           | Electronic components(Q)                 | 1         |
| 36    | 114513001    | 螺栓(内六角)M5 L=20        | Screw M5 L=20                            | 1         |
|       | 114513001    | 螺栓(内六角)M5 L=20(鲍麦)    | Screw M5 L=20(Power Max)                 | 4         |
|       | S05901       | 内六角圆柱头螺钉M5 L=50(琦星)   | Screw M5 L=50(Q)                         | 3         |
| 37    | W01009       | 垫圈 5                  | Washer 5                                 | 3         |
| 38    | 114130006    | 无线通信模块(+)             | RF wireless data communication module(+) | 1         |
| 39    | 10122007     | 下轴工艺孔塞                | Rubber plug                              | 1         |
| 40    | 11503003300  | 一体机电控面板组件(琦星)         | Control panel(Q)                         | 1         |
|       | 11503001200  | 一体机电控面板组件(鲍麦)         | Control panel(Power Max)                 | 1         |
|       | 11503003000  | 一体机电控面板组件(鲍麦)(+)      | Control panel(Power Max)(+)              | 1         |
| 41    | 14322007     | 橡皮塞(双孔)               | Rubber plug                              | 1         |
| 42    | 138508006    | 螺钉SM3/16"×28 L=7      | Screw SM3/16"×28 L=7                     | 1         |
| 43    | 13810008     | 小夹线器螺柱                | Thread tension post                      | 1         |
| 44    | 13812066     | 过线板                   | Thread tension guide plate               | 1         |
| 45    | 14112017     | 小夹线板                  | Thread tension disk                      | 2         |
| 46    | 11227001     | 小夹线弹簧                 | Thread tension spring                    | 1         |
| 47    | 141516019    | 小夹线器螺母                | Thread tension nut                       | 1         |
| 48    | 1411300400   | 小夹线器组件                | Thread tension asm                       | 1         |
| 49    | 11411300200  | 夹线器组件                 | Thread tension asm                       | 1         |
| 50    | 1411300500   | 夹线器组件(厚料)             | Thread tension asm(H)                    | 1         |
| 51    | 141516013    | 夹线螺母                  | Thread tension nut                       | 1         |
| 52    | 10112007     | 夹线制动板                 | Thread disk rotating stopper             | 1         |
| 53    | 10127002     | 夹线弹簧                  | Thread tension spring                    | 1         |
|       | 11427050     | 夹线弹簧(厚料)              | Thread tension spring A (H)              | 1         |
| 54    | 14112016     | 松线板                   | Disk stopper                             | 1         |
| 55    | 14112015     | 夹线板                   | Thread tension disk                      | 2         |
| 56    | 141530001    | 夹线螺钉                  | Thread tension post                      | 1         |
| 57    | 10127001     | 挑线簧                   | Thread take-up spring                    | 1         |
|       | 10127031     | 挑线簧(厚料)               | Thread take-up spring(H)                 | 1         |
| 58    | 10103011     | 挑线簧调节座                | Thread tension base                      | 1         |
| 59    | 10122014     | 挑线簧调节座O型圈             | Rubber ring                              | 1         |
| 60    | 101S15005    | 螺钉SM9/64"×40 L=5.5    | Screw SM9/64"×40 L=5.5                   | 1         |
| 61    | 11326012     | 松线钉                   | Tension release pin                      | 1         |
| 62    | 101S11007    | 螺钉SM11/64"×40 L=6     | Screw SM11/64"×40 L=6                    | 2         |
| 63    | 10113004     | 右线钩                   | Thread guide right                       | 2         |
| 64    | 101S15010    | 螺钉SM15/64"×28 L=10.5  | Screw SM15/64"×28 L=10.5                 | 1         |
| 65    | 401S16001    | 螺母SM11/64"×40         | Nut SM9/64"×40                           | 1         |
| 66    | 11413011     | 固定式缓线钩                | Thread guide                             | 1         |
| 67    | 101S11002    | 螺钉SM11/64"×40 L=5.5   | Screw SM11/64"×40 L=5.5                  | 1         |
| 68    | 13812019     | 卷边器座                  | Ruler stop seat                          | 1         |
| 69    | 207S14007    | 凹端紧定螺钉 M4 L=6         | Screw M4 L=6                             | 1         |
| 70    | 11493000300  | 电子夹线器组件               | Nest less e-device                       | 1         |
| 71    | 104517002    | 针板螺钉SM11/64"×40 L=6.5 | Screw SM11/64"×40 L=6.5                  | 2         |
|       | 13815011     | 针板(2.0)               | Needle plate                             | 1         |
| 72    | 11315001     | 针板(厚料)                | Needle plate(H)                          | 1         |
|       | 10815001     | 针板(-7)                | Needle plate(-7)                         | 1         |
| 73    | 140S12001    | 底板支柱                  | Machine head stud                        | 2         |
| 74    | 101S11019    | 螺钉SM3/32"×56 L=2      | Slide plate SM3/32"×56 L=2               | 2         |
| 75    | 10127009     | 推板簧                   | Slide plate spring                       | 1         |
| 76    | 10115002     | 推板                    | Screw SM3/32"×56 L=2                     | 1         |
| 77    | 101S11026    | 螺钉SM15/64"×28 L=9     | Screw SM15/64"×28 L=9                    | 1         |



## 2. 上轴、挑线部件/Main Shaft & Thread Take-up Components

| 序号NO | 公司件号       | Part NO | 名称                     | PartName | 零件描述                                | Description | 数量 | Number |
|------|------------|---------|------------------------|----------|-------------------------------------|-------------|----|--------|
| 1    | 10126001   |         | 挑线连杆销                  |          | Thread take-up connecting rod pin   |             | 1  |        |
| 2    | 101S15001  |         | 螺钉SM15/64"x28 L=15     |          | Screw SM15/64"x28 L=15              |             | 1  |        |
| 3    | 10105001   |         | 挑线连杆                   |          | Thread take-up connecting rod(H)    |             | 1  |        |
| 4    | 10112003   |         | 针杆曲柄护板                 |          | Needle bar crank protecting plate   |             | 1  |        |
| 5    | 1013800100 |         | 挑线杆分组件                 |          | Thread take-up lever asm            |             | 1  |        |
|      | 1133800200 |         | 挑线杆组件(厚料)              |          | Thread take-up lever asm(H)         |             | 1  |        |
| 6    | 10124001   |         | 挑线杆滚针轴承                |          | Needle bearing                      |             | 2  |        |
|      | 1011000100 |         | 挑线曲柄分部件                |          | Thread take-up crank                |             | 1  |        |
|      | 1011000400 |         | 挑线曲柄分部件(厚料)            |          | Thread take-up crank(H)             |             | 1  |        |
|      | 11310010   |         | 挑线曲柄分部件(中厚料)           |          | Thread take-up crank(H-M)           |             | 1  |        |
| 8    | 10105002   |         | 针杆连杆                   |          | Needle bar connecting rod           |             | 1  |        |
| 9    | 101S17001  |         | 螺钉SM9/64"x40(左旋) L=4.8 |          | Screw SM9/64"x40(左旋) L=4.8          |             | 1  |        |
| 10   | 101S15004  |         | 螺钉SM9/32"x28 L=16      |          | Screw SM9/32"x28 L=16               |             | 1  |        |
| 11   | 101S11003  |         | 螺钉SM9/32"x28 L=16      |          | Screw SM9/32"x28 L=16               |             | 1  |        |
| 12   | 10404001   |         | 针杆曲柄                   |          | Needle bar crank                    |             | 1  |        |
|      | 11404035   |         | 针杆曲柄(厚料)               |          | Needle bar crank(H)                 |             | 1  |        |
| 13   | 101S15002  |         | 螺钉SM1/4"x40 L=6        |          | Screw SM1/4"x40 L=6                 |             | 2  |        |
| 14   | 1140300200 |         | 上轴前轴套组件                |          | Main shaft bushing front            |             | 1  |        |
| 15   | 101S15006  |         | 螺钉SM15/64"x28 L=7      |          | Screw SM15/64"x28 L=7               |             | 1  |        |
| 16   | 12203002   |         | 主轴中轴套                  |          | Main shaft bushing mid              |             | 1  |        |
| 17   | 101S14001  |         | 螺钉SM1/4"x40 L=6        |          | Screw SM1/4"x40 L=6                 |             | 4  |        |
| 18   | 10108001   |         | 上轴挡圈                   |          | Main shaft thrust collar            |             | 2  |        |
| 19   | H03002     |         | 挡圈20                   |          | Snap ring 20                        |             | 1  |        |
|      | 400092     |         | 送料偏心轮                  |          | Feed eccentric cam                  |             | 1  |        |
|      | 400006     |         | 送料偏心轮(中厚料)(H-7)        |          | Feed eccentric cam (H-M)(H-7)       |             | 1  |        |
| 21   | 10112017   |         | 送料偏心轮盖板                |          | Cover plate                         |             | 1  |        |
| 22   | 101S11013  |         | 螺钉SM1/4"x40 L=13       |          | Screw SM1/4"x40 L=13                |             | 2  |        |
| 23   | 113S11003  |         | 螺钉SM9/64"x40 L=5       |          | Screw SM9/64"x40 L=5                |             | 2  |        |
| 24   | 13803002   |         | 上轴后轴套                  |          | The rear axle sleeve                |             | 1  |        |
| 25   | 10122105   |         | 上轴后套挡油密封               |          | Oil seal                            |             | 1  |        |
| 26   | H03001     |         | GB/T894.1-1986挡圈15     |          | Snap ring 15                        |             | 1  |        |
| 27   | 115002002  |         | 上轴                     |          | Main shaft                          |             | 1  |        |
| 28   | S10026     |         | 螺钉M3 L=3               |          | Screw M3 L=3                        |             | 2  |        |
| 29   | 115008001  |         | 电机防尘套                  |          | Motor dust jacket                   |             | 1  |        |
| 30   | S10009     |         | 螺钉                     |          | Screw                               |             | 2  |        |
| 31   | 302830     |         | 手轮(喷漆)                 |          | Handwheel                           |             | 1  |        |
| 32   | 13831015   |         | 塑料袋28x18(cm)厚0.03mm    |          | Plastic bag 28cmx18cmx0.03mm        |             | 1  |        |
| 33   | 195100073  |         | 电机罩壳组件(配琦星)            |          | Motor cover asm(Q)                  |             | 1  |        |
|      | 95100172   |         | 电机罩壳组件(配鲍麦)            |          | Motor cover asm(Power Max)          |             | 1  |        |
| 34   | 195100112  |         | 电机光栅组件(配琦星)            |          | Motor grating sensor asm(Q)         |             | 1  |        |
|      | 95100116   |         | 电机光栅组件(配鲍麦)            |          | Motor grating sensor asm(Power Max) |             | 1  |        |
| 35   | S09022     |         | 内六角平端紧定螺钉M3 L=4        |          | Screw M3 L=4                        |             | 1  |        |
| 36   | S09162     |         | 内六角平端紧定螺钉M6 L=6        |          | Screw M6 L=6                        |             | 1  |        |
| 37   | 95100182   |         | 电机转子总成                 |          | Motor rotor                         |             | 1  |        |
| 38   | 95100171   |         | 电机定子总成                 |          | Motor stator                        |             | 1  |        |
| 39   | 13811060   |         | 电机绝缘防护罩                |          | Motor insulation shield             |             | 1  |        |
| 40   | W02058     |         | GB 93-1987弹垫d5         |          | Spring washer 5                     |             | 3  |        |
| 41   | S05901     |         | 螺钉M5 L=50              |          | Screw M5 L=50                       |             | 3  |        |
| 42   | S09162     |         | 内六角平端紧定螺钉M6 L=6        |          | Screw M6 L=8                        |             | 1  |        |
| 43   | S09022     |         | 内六角平端紧定螺钉M3 L=4        |          | Screw M3 L=4                        |             | 1  |        |
| 44   | 951S15011  |         | 螺钉组合件M3 L=12           |          | Screw Asm M3 L=12                   |             | 5  |        |
| 45   | 10122012   |         | 上轴孔塞                   |          | Rubber plug                         |             | 1  |        |
| 46   | 115033007  |         | 光电伺服电机(琦星)             |          | Motor(Q)                            |             | 1  |        |
|      | 113833087  |         | 光电伺服电机(鲍麦)             |          | Motor(Power Max)                    |             | 1  |        |
| 47   | 14112004   |         | 防油罩                    |          | Oil shield                          |             | 1  |        |
| 48   | 14123001   |         | 防油罩油棉                  |          | Oil cotton                          |             | 1  |        |
| 49   | 141S11002  |         | 螺钉SM3/16"x28 L=4.5     |          | Screw SM3/16"x28 L=4.5              |             | 1  |        |



### 3. 压料、自动加压脚部件(1)/Presser Bar & Auto Lifter Components (1)

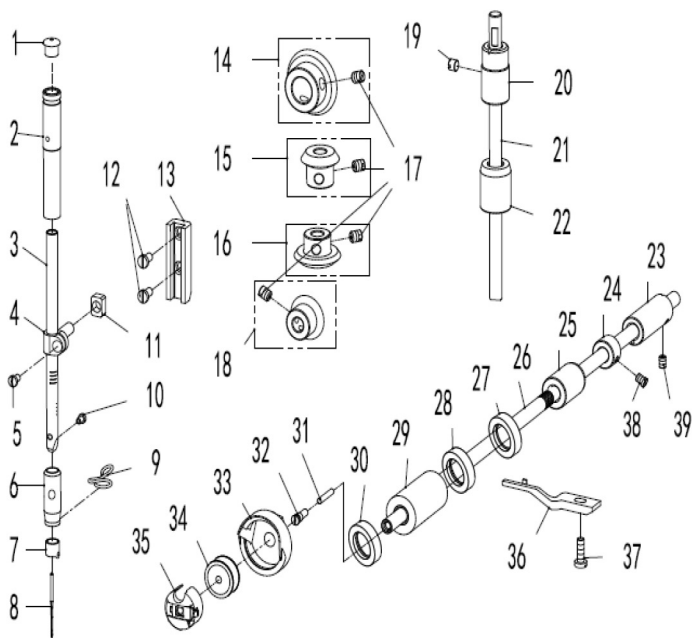
| 序号NO | 公司件号        | Part NO | 名称                    | PartName | 零件描述                             | Description | 数量 | Number |
|------|-------------|---------|-----------------------|----------|----------------------------------|-------------|----|--------|
| 1    | 101S11010   |         | 压脚扳手螺钉SM9/64"x40 L=11 |          | Screw SM9/64"x40 L=11            |             | 1  |        |
| 2    | 10128002    |         | 压脚扳手螺钉垫圈              |          | Washer                           |             | 1  |        |
| 3    | 13811029    |         | 压脚扳手                  |          | Hand lifter                      |             | 1  |        |
| 4    | O01004      |         | O型圈                   |          | Rubber ring                      |             | 1  |        |
| 5    | 1411000200  |         | 压脚扳手凸轮分部件             |          | Hand lifter cam asm.             |             | 1  |        |
| 6    | 101S20001   |         | 前杠杆螺纹销                |          | Screw                            |             | 2  |        |
| 7    | 10128015    |         | 螺纹销橡胶垫圈               |          | Washer                           |             | 2  |        |
| 8    | 1411201100  |         | 抬压脚前杠杆分部件             |          | Lift front lever component       |             | 1  |        |
| 9    | 14312012    |         | 抬压脚拉杆                 |          | Knee lifter pull rod             |             | 1  |        |
| 10   | H05003      |         | GB/T896-1986挡圈 5      |          | Snap ring                        |             | 2  |        |
| 11   | 11329020    |         | 挡圈 5                  |          | Snap ring                        |             | 2  |        |
| 12   | 14112018    |         | 压脚升降板                 |          | Lifting plate                    |             | 1  |        |
| 13   | 101S20004   |         | 抬压脚拉杆螺钉SM3/16"x32     |          | Hinge Screw SM3/16"x32           |             | 1  |        |
| 14   | 1431201200  |         | 抬压脚前杠杆组件              |          | Knee lifter lever asm            |             | 1  |        |
| 15   | 101S20003   |         | 后杠杆轴位螺钉SM15/64"x28    |          | Hinge screw SM15/64"x28          |             | 1  |        |
| 16   | 11312034    |         | 抬压脚后杠杆                |          | Knee lifter back lever           |             | 1  |        |
| 17   | 11326005    |         | 销子                    |          | Pin                              |             | 1  |        |
| 18   | 113829001   |         | R形弹性开口销φ1.5           |          | Cotter pin                       |             | 1  |        |
| 19   | 11326006    |         | 电磁铁接头                 |          | Solenoid connector               |             | 1  |        |
| 20   | 113516004   |         | 法兰螺母M8                |          | Flange nuts M8                   |             | 1  |        |
| 21   | 11322008    |         | 电磁铁上垫片                |          | washer                           |             | 1  |        |
| 22   | 11493000600 |         | 抬压脚电磁铁组件              |          | Solenoid asm.                    |             | 1  |        |
| 23   | 101S11001   |         | 螺钉SM3/16"×28 L=9      |          | Screw SM3/16"×28 L=9             |             | 4  |        |
| 24   | 114112022   |         | 抬压脚顶杆                 |          | Knee lifter connecting rod       |             | 1  |        |
| 25   | 10127003    |         | 松线辅打弹簧                |          | Spring                           |             | 1  |        |
| 26   | 10128001    |         | 松线辅打垫片                |          | Washer                           |             | 1  |        |
| 27   | H05012      |         | 挡圈4 (日标)              |          | Snap ring                        |             | 1  |        |
| 28   | 10126003    |         | 松线辅打                  |          | Thread release supporting pin    |             | 1  |        |
| 29   | 114127002   |         | 松线顶板复位簧               |          | Spring                           |             | 1  |        |
| 30   | 115026001   |         | 松线顶板连接销               |          | Pin                              |             | 1  |        |
| 31   | 138S08006   |         | 螺钉SM3/16 "x28 L=7     |          | Screw SM3/16 "x28 L=7            |             | 1  |        |
| 32   | 14128001    |         | 松线顶板垫片                |          | Loose top gasket                 |             | 1  |        |
| 33   | H03054      |         | GB/T894.1-1986挡圈6     |          | Snap ring 6                      |             | 1  |        |
| 34   | 14101017    |         | 松线顶板                  |          | Wire release plate               |             | 1  |        |
| 35   | 138S08006   |         | 螺钉SM3/16 " L=7        |          | Screw SM3/16 " L=7               |             | 1  |        |
| 36   | 11503002000 |         | 松线电磁铁组件               |          | Solenoid                         |             | 1  |        |
| 37   | 12922015    |         | 橡皮塞                   |          | Spout plug                       |             | 1  |        |
| 38   | 114122006   |         | 松线油封                  |          | Oil seal                         |             | 1  |        |
| 39   | 11381101800 |         | 调压螺钉组件                |          | Presser regulating screw nut asm |             | 1  |        |
| 40   | 1138NS30003 |         | 调压螺钉(厚料)              |          | Press regulating screw (H)       |             | 1  |        |
| 41   | 1138NS16005 |         | 调压螺母(厚料)              |          | Press regulating nut(H)          |             | 1  |        |
| 42   | 10102003    |         | 调压导杆                  |          | Press regulating guide bar       |             | 1  |        |
| 43   | 113827010   |         | 调压簧                   |          | Press regulating spring          |             | 1  |        |
|      | 10127024    |         | 调压簧(厚料)               |          | Press regulating spring(H)       |             | 1  |        |
| 44   | 13809030    |         | 压杆导架                  |          | Presser bar guide bracket        |             | 1  |        |
| 45   | 101S15007   |         | 螺钉 SM1/4"x40 L=8      |          | Screw SM1/4"x40 L=8              |             | 1  |        |
| 46   | 10122112    |         | 压杆防油套                 |          | Pressure bar oil cover           |             | 1  |        |
| 47   | 113803007   |         | 压杆衬套                  |          | Presser bar bushing,lower        |             | 1  |        |

### 3. 压料、自动抬压脚部件(2)/Presser Bar & Auto Lifter Components (2)

| 序号NO | 公司件号<br>Part NO | 名称<br>PartName      | 零件描述<br>Description     | 数量<br>Number |
|------|-----------------|---------------------|-------------------------|--------------|
| 48   | 113802009       | 压杆                  | Presser bar             | 1            |
| 49   | 101S11009       | 螺钉SM9/64"x40 L=10.5 | Screw SM9/64"x40 L=10.5 | 1            |
| 50   | 1131600600      | 压脚组件                | Presser foot asm        | 1            |
|      | 1131600300      | 压脚组件(厚料)            | Presser foot asm(H)     | 1            |

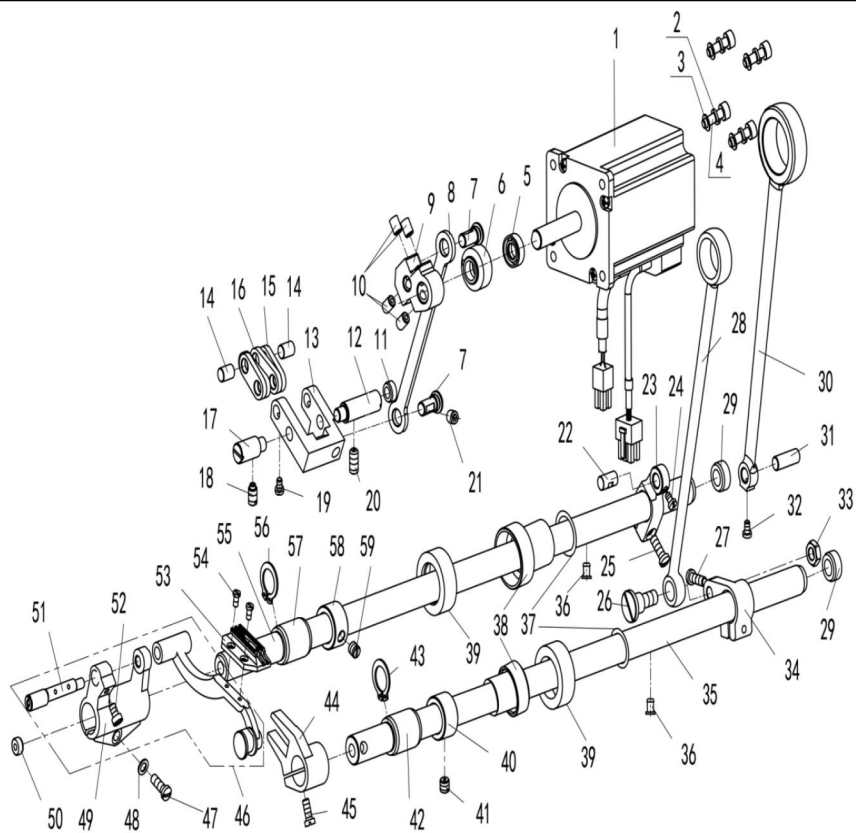


## 4



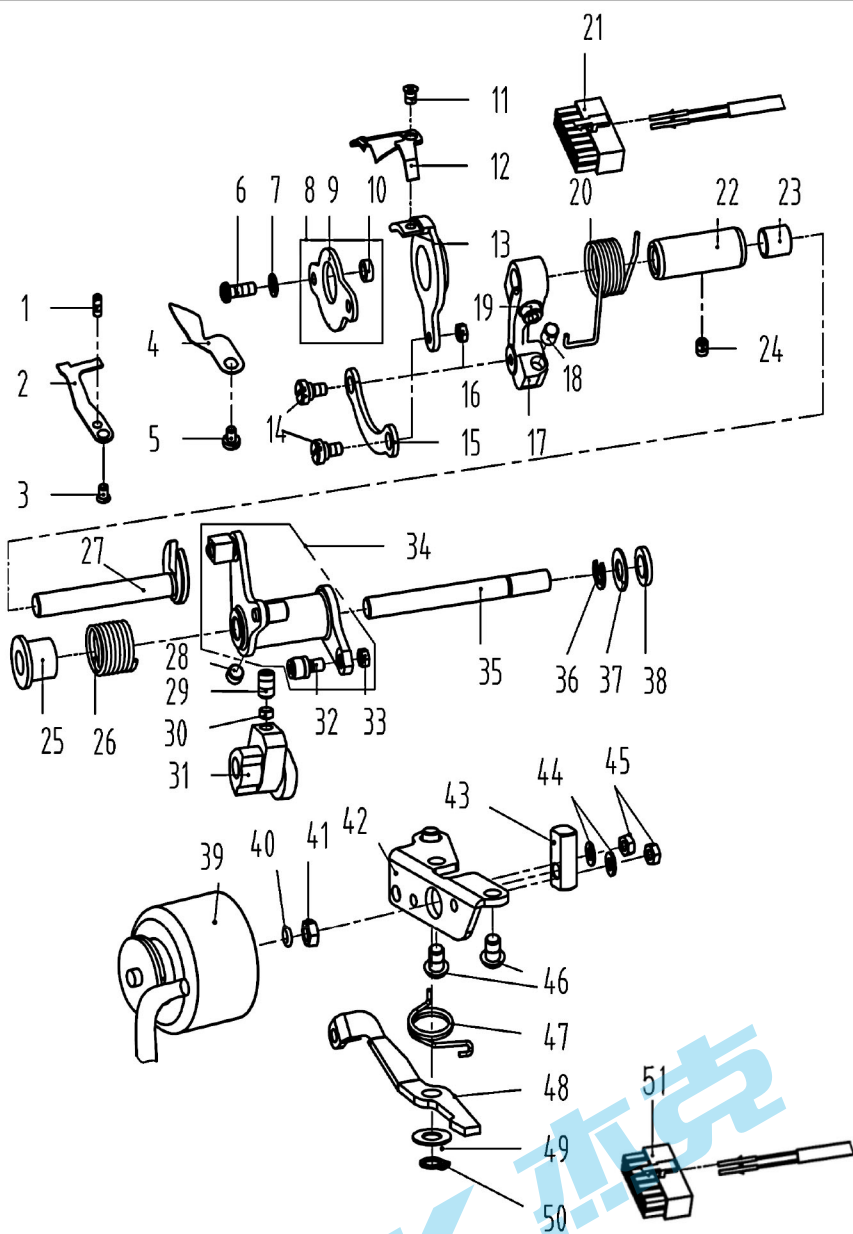
## 4. 针杆、竖轴、下轴部件/Needle bar &amp; Upright Shaft &amp; Hook Driving Shaft Components

| 序号NO | 公司件号       | Part NO | 名称                     | PartName | 零件描述                             | Description | 数量 | Number |
|------|------------|---------|------------------------|----------|----------------------------------|-------------|----|--------|
| 1    | 10122013   |         | 针杆上衬套孔塞                |          | Rubber plug                      |             | 1  | 1      |
| 2    | 14103009   |         | 针杆上衬套                  |          | Needle bar bushing upper         |             | 1  | 1      |
|      | 10103009   |         | 针杆上衬套(厚料)              |          | Needle bar bushing upper(H)      |             | 1  | 1      |
| 3    | 11402039   |         | 针杆                     |          | Needle bar                       |             | 1  | 1      |
|      | 10102021   |         | 针杆(厚料)                 |          | Needle bar (H)                   |             | 1  | 1      |
| 4    | 10138002   |         | 针杆连接柱                  |          | Needle bar connecting rod        |             | 1  | 1      |
| 5    | 101511005  |         | 螺钉SM9/64"x40 L=6       |          | Screw SM9/64"x40 L=6             |             | 1  | 1      |
| 6    | 10103010   |         | 针杆下衬套                  |          | Needle bar bushing lower         |             | 1  | 1      |
|      | 11303023   |         | 针杆下衬套(厚料)              |          | Needle bar bushing lower(H)      |             | 1  | 1      |
| 7    | 10113002   |         | 针杆线钩                   |          | Needle bar thread guide          |             | 1  | 1      |
|      | 11412063   |         | 针杆线钩(厚料)               |          | Needle bar thread guide(H)       |             | 1  | 1      |
| 8    | 13817001   |         | 机针(定位14#)              |          | Needle                           |             | 1  | 1      |
|      | 10117002   |         | 机针DP×5#21(厚料)          |          | Needle(H)                        |             | 1  | 1      |
| 9    | 10413009   |         | 针杆下衬套线钩                |          | Lower bushing thread guide       |             | 1  | 1      |
|      | 10113009   |         | 针杆下衬套线钩(厚料)            |          | Lower bushing thread guide(H)    |             | 1  | 1      |
| 10   | 104511006  |         | 螺钉(进口) SM1/8"x44 L=4.5 |          | Screw SM1/8"x44 L=4.5            |             | 1  | 1      |
| 11   | 10109001   |         | 针杆连接柱滑块                |          | Slide block                      |             | 1  | 1      |
| 12   | 101511008  |         | 螺钉SM11/64"x40 L=8      |          | Screw SM11/64"x40 L=8            |             | 2  | 2      |
| 13   | 10109002   |         | 针杆接头滑块导轨               |          | Needle bar guide                 |             | 1  | 1      |
| 14   | 10425004   |         | 上轴伞齿轮                  |          | Upper shaft bevel gear           |             | 1  | 1      |
| 15   | 10425003   |         | 竖轴上伞齿轮                 |          | Upper small bevel gear asm       |             | 1  | 1      |
| 16   | 10425002   |         | 竖轴下伞齿轮                 |          | Lower large bevel gear asm       |             | 1  | 1      |
| 17   | 101515014  |         | 螺钉SM1/4"x40 L=7        |          | Screw SM1/4"x40 L=7              |             | 8  | 8      |
| 18   | 10425001   |         | 下轴伞齿轮                  |          | Hook drive shaft bevel gear      |             | 1  | 1      |
| 19   | 113511036  |         | 螺钉SM15/64"x28 L=4.7    |          | Screw SM15/64"x28 L=4.7          |             | 1  | 1      |
| 20   | 10403020   |         | 竖轴上轴套                  |          | Upright shaft bushing upper      |             | 1  | 1      |
| 21   | 10102007   |         | 竖轴                     |          | Upright shaft                    |             | 1  | 1      |
| 22   | 113803004  |         | 竖轴下轴套                  |          | Upright shaft bushing lower      |             | 1  | 1      |
| 23   | 10403019   |         | 下轴后轴套                  |          | Hook driving shaft bushing back  |             | 1  | 1      |
| 24   | 115008002  |         | 下轴挡圈                   |          | Hook driving shaft snap ring     |             | 1  | 1      |
| 25   | 14003004   |         | 下轴中套                   |          | Lower shaft middle bushing       |             | 1  | 1      |
| 26   | 14402003   |         | 下轴                     |          | Hook driving shaft               |             | 1  | 1      |
| 27   | 11522001   |         | 油封组件12                 |          | Oil seal 12                      |             | 1  | 1      |
| 28   | 114122004  |         | 下轴前套油封(大)              |          | Oil seal                         |             | 1  | 1      |
| 29   | 14003001   |         | 下轴前轴套组件                |          | Hook driving shaft bushing front |             | 1  | 1      |
| 30   | 1142201600 |         | 油封组件                   |          | Oil seal                         |             | 1  | 1      |
| 31   | 13823001   |         | 下轴限油芯                  |          | Oil wick                         |             | 1  | 1      |
| 32   | 101530005  |         | 下轴限油螺钉SM3/16"×32       |          | Set screw SM3/16"×32             |             | 1  | 1      |
| 33   | 11418003   |         | 广濂中厚料旋梭(广大缝范围)         |          | Hook asm (Hirose)                |             | 1  | 1      |
|      | 11418004   |         | 广濂厚料旋梭(新)(有尾巴)(厚料)     |          | Hook asm(Hirose)(H)              |             | 1  | 1      |
| 34   | 10118003   |         | 梭心                     |          | Bobbin                           |             | 1  | 1      |
| 35   | 11218504   |         | 梭壳                     |          | Bobbin case asm.                 |             | 1  | 1      |
| 36   | 10112016   |         | 旋梭定位钩                  |          | Finger postioner                 |             | 1  | 1      |
|      | 10112032   |         | 旋梭定位钩(厚料)              |          | Finger postioner(H)              |             | 1  | 1      |
| 37   | 116511005  |         | 螺钉SM11/64"×40 L=13     |          | Screw SM11/64"×40 L=13           |             | 1  | 1      |
| 38   | 101511012  |         | 螺钉SM11/64"×40 L=4.8    |          | Screw SM11/64"×40 L=4.8          |             | 2  | 2      |
| 39   | 113514020  |         | 螺钉SM11/64"×40 L=6      |          | Screw SM11/64"×40 L=6            |             | 1  | 1      |



## 5. 送料部件/Feed Mechanism Components

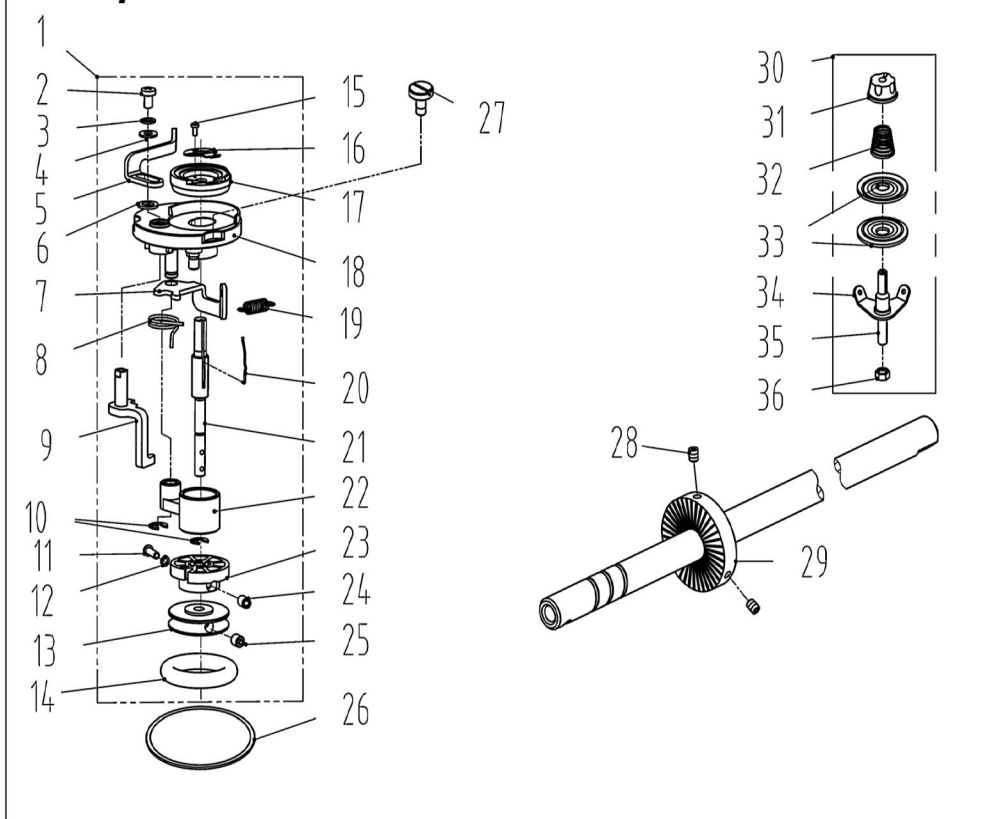
| 序号NO | 公司件号        | Part NO | 名称                    | PartName | 零件描述                                  | Description | 数量 | Number |
|------|-------------|---------|-----------------------|----------|---------------------------------------|-------------|----|--------|
| 1    | 115033004   |         | 步进电机(琦星1000线)(-7)     |          | Stepper motor(Q)(-7)                  |             | 1  |        |
|      | 115033002   |         | 步进电机(鲍麦)              |          | Stepper motor(Power Max)              |             | 1  |        |
| 2    | W03002      |         | 弹簧垫圈5                 |          | Spring washer 5                       |             | 4  |        |
| 3    | 10128003    |         | 平垫圈5                  |          | Washer 16                             |             | 4  |        |
| 4    | 409511020   |         | 螺钉SM3/16"x28 L=15.5   |          | Screw SM3/16"x28 L=15.5               |             | 4  |        |
| 5    | 114922002   |         | 步进电机轴套油封              |          | Stepper motor bushing oil seal        |             | 1  |        |
| 6    | 114903001   |         | 步进电机轴套                |          | Stepper motor bushing                 |             | 1  |        |
| 7    | 114926001   |         | 针距曲柄销                 |          | Needl gage crank pin                  |             | 2  |        |
| 8    | 114905001   |         | 针距连杆                  |          | Needle pitch rod                      |             | 1  |        |
| 9    | 114904001   |         | 针距曲柄                  |          | Needl gage crank                      |             | 1  |        |
| 10   | S10009      |         | 螺钉M6 L=8              |          | Screw M6 L=8                          |             | 4  |        |
| 11   | 14022015    |         | 右销孔塞                  |          | spout plug                            |             | 1  |        |
| 12   | 10126010    |         | 送料摆动板座右销              |          | Right pin                             |             | 1  |        |
|      | 114901001   |         | 送料摆动板座                |          | Feed shaking plate bed components     |             | 1  |        |
| 13   | 114901004   |         | 送料摆动板座(-7)            |          | Feed shaking plate bed components(-7) |             | 1  |        |
| 14   | 10126007    |         | 短摆动板连杆销               |          | Connecting pin                        |             | 2  |        |
|      | 11412022    |         | 送料短摆动板                |          | Feed short shaking plate              |             | 2  |        |
| 15   | 13809007    |         | 送料短摆动板(厚料)            |          | Feed short shaking plate(H)           |             | 2  |        |
| 16   | 13809008    |         | 送料长摆动板                |          | Feed long shaking plate               |             | 2  |        |
| 17   | 10126009    |         | 送料摆动板座右销              |          | Left pin                              |             | 1  |        |
| 18   | 101S15010   |         | 螺钉 SM15/64"x28 L=10.5 |          | Screw SM15/64"x28 L=10.5              |             | 1  |        |
| 19   | 101S11005   |         | 螺钉 SM9/64"x40 L=6     |          | Screw SM9/64"x40 L=6                  |             | 2  |        |
| 20   | 113514010   |         | 螺钉SM15/64"x28 L=12    |          | Screw SM15/64"x28 L=12                |             | 1  |        |
| 21   | 101S14001   |         | 螺钉SM1/4"x40           |          | Screw SM1/4"x40                       |             | 1  |        |
| 22   | 10126011    |         | 送料曲柄销                 |          | Feed rocker crank pin                 |             | 1  |        |
|      | 10104002    |         | 送料曲柄                  |          | Feed rocker shaft crank               |             | 1  |        |
|      | 11304010    |         | 送料曲柄(-7)              |          | Feed rocker shaft crank(-7)           |             | 1  |        |
| 24   | 101S11005   |         | 螺钉SM9/64"x40 L=6      |          | Screw SM9/64"x40 L=6                  |             | 1  |        |
| 25   | 101S11016   |         | 螺钉SM3/16"x28 L=14     |          | Screw SM3/16"x28 L=14                 |             | 1  |        |
| 26   | 101S20005   |         | 拾牙连杆轴位螺钉 SM9/32"x28   |          | Hinge Screw SM9/32"x28                |             | 1  |        |
| 27   | 101S11016   |         | 螺钉 SM3/16"x28 L=14    |          | Screw SM3/16"x28 L=14                 |             | 1  |        |
| 28   | 400093      |         | 拾牙连杆                  |          | Connecting rod                        |             | 1  |        |
| 29   | 114022002   |         | 橡皮塞15.5               |          | Rubber plug 15.5                      |             | 2  |        |
|      | 400091      |         | 送料连杆                  |          | Rocker shaft connecting rod           |             | 1  |        |
| 30   | 13805002    |         | 送料连杆(厚料)              |          | Rocker shaft connecting rod(H)        |             | 1  |        |
|      | 400083      |         | 送料连杆(-7)              |          | Rocker shaft connecting rod(-7)       |             | 1  |        |
| 31   | 10126006    |         | 送料连杆销                 |          | Connecting rod pin                    |             | 1  |        |
| 32   | 101S11005   |         | 螺钉SM9/64"x40 L=6      |          | Screw SM9/64"x40 L=6                  |             | 1  |        |
| 33   | 101S16003   |         | 拾牙连杆轴位螺母 SM9/32"x28   |          | Hinge Screw SM9/32"x28                |             | 1  |        |
| 34   | 10104004    |         | 拾牙后曲柄                 |          | Feed driving shaft crank              |             | 1  |        |
| 35   | 14402007    |         | 拾牙轴                   |          | Feed driving shaft                    |             | 1  |        |
| 36   | 14022008    |         | 送料轴油线孔塞               |          | Plug                                  |             | 2  |        |
| 37   | 114022001   |         | 送料轴后轴套密封圈             |          | Rubber ring                           |             | 2  |        |
| 38   | 14003002    |         | 送料轴后轴套                |          | Axle sleeve                           |             | 2  |        |
| 39   | 1142200800  |         | 油封组件22                |          | Oil seal                              |             | 2  |        |
| 40   | 10108003    |         | 送料轴挡圈                 |          | Feed rocker shaft snap ring           |             | 1  |        |
| 41   | 101S15002   |         | 螺钉SM1/4"x40 L=6       |          | Screw SM1/4"x40 L=6                   |             | 2  |        |
| 42   | 10403015    |         | 轴套                    |          | Bushing                               |             | 1  |        |
| 43   | H03001      |         | GB/T894.1-1986挡圈 15   |          | Snap ring 15                          |             | 1  |        |
|      | 10104003    |         | 拾牙叉形曲柄                |          | Driving shaft crank                   |             | 1  |        |
| 44   | 10804003    |         | 拾牙叉形曲柄(厚料)            |          | Driving shaft crank(H)                |             | 1  |        |
|      | 10804003    |         | 拾牙叉形曲柄(-7)            |          | Driving shaft crank(-7)               |             | 1  |        |
| 45   | 1138NS30004 |         | 螺钉SM11/64"x40 L=10.5  |          | Screw SM11/64"x40 L=10.5              |             | 1  |        |
| 46   | 11380700300 |         | 牙架组件(鲍麦、-H)           |          | Feed bar asm(Power Max & -H)          |             | 1  |        |
|      | 400672      |         | 牙架组件                  |          | Feed bar asm                          |             | 1  |        |
| 47   | 101S11016   |         | 螺钉SM3/16"x28 L=14     |          | Screw SM3/16"x28 L=14                 |             | 1  |        |
| 48   | 10128003    |         | 牙架座螺钉垫圈               |          | Washer                                |             | 1  |        |
| 49   | 480095      |         | 牙架座                   |          | Feed bar bed.                         |             | 1  |        |
| 50   | 14022003    |         | 送料轴前孔塞                |          | Spout plug                            |             | 1  |        |
| 51   | 10401007    |         | 牙架销(自制)               |          | Feed bar pin                          |             | 1  |        |
| 52   | 101S11025   |         | 螺钉SM11/64"x40 L=7     |          | Screw SM11/64"x40 L=7                 |             | 1  |        |
|      | 13814005    |         | 送料牙                   |          | Feed dog                              |             | 1  |        |
| 53   | 11314001    |         | 送料牙(厚料)               |          | Feed dog (H)                          |             | 1  |        |
|      | 11414001    |         | 送料牙(-7)               |          | Feed dog (-7)                         |             | 1  |        |
| 54   | 101S11018   |         | 螺钉 SM1/8"x44 L=6      |          | Screw SM1/8"x44 L=6                   |             | 2  |        |
| 55   | 14402008    |         | 送料轴                   |          | Feed rocker shaft                     |             | 1  |        |
| 56   | H03001      |         | GB/T894.1-1986挡圈 15   |          | Snap ring 15                          |             | 1  |        |
| 57   | 10403015    |         | 轴套                    |          | Bushing                               |             | 1  |        |
| 58   | 10108003    |         | 送料轴挡圈                 |          | Feed rocker shaft snap ring           |             | 1  |        |
| 59   | 101S15002   |         | 螺钉SM1/4"x40 L=6       |          | Screw SM1/4"x40 L=6                   |             | 2  |        |



## 6. 切线部件/Thread Trimmer Components

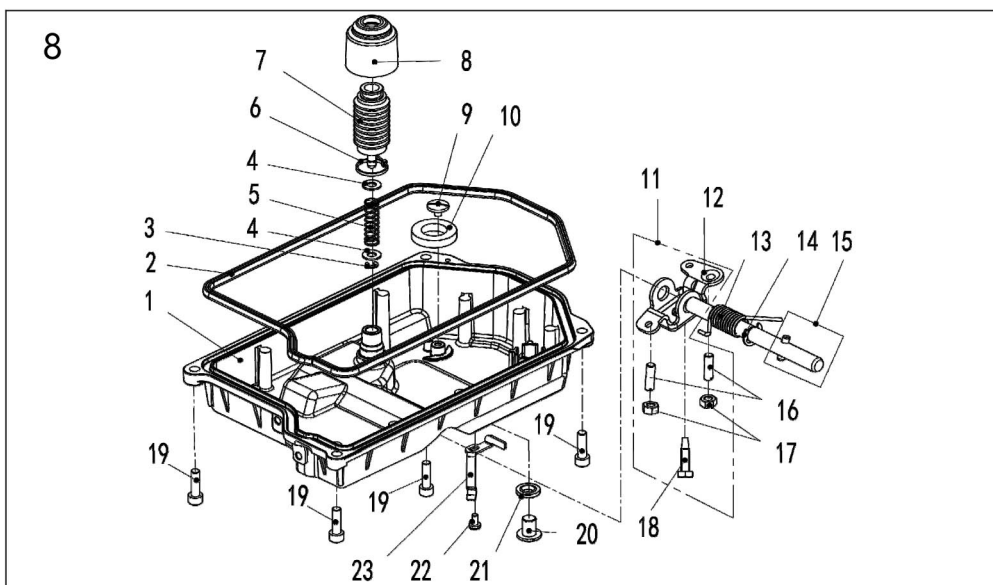
| 序号NO | 公司件号        | Part NO | 名称                  | PartName | 零件描述                              | Description | 数量 | Number |
|------|-------------|---------|---------------------|----------|-----------------------------------|-------------|----|--------|
| 1    | 113S15002   |         | 螺钉SM1/8"x44 L=9.5   |          | Screw SM1/8"x44 L=9.5             |             | 1  |        |
| 2    | 115019001   |         | 定刀                  |          | Secant knife                      |             | 1  |        |
| 3    | 113S17001   |         | 螺钉SM9/64"x40        |          | Screw SM9/64"x40                  |             | 1  |        |
| 4    | 11312003    |         | 护针片                 |          | Needle guard patch                |             | 1  |        |
| 5    | 201S11009   |         | 螺钉SM9/64"x40 L=5.5  |          | Screw SM9/64"x40 L=5.5            |             | 1  |        |
| 6    | 113S11001   |         | 螺钉SM11/64"x40 L=12  |          | Screw SM11/64"x40 L=12            |             | 2  |        |
| 7    | 10128003    |         | 牙架座螺钉垫圈             |          | Washer                            |             | 2  |        |
| 8    | 14012004    |         | 刀架压板组件              |          | Knife bracket press component     |             | 1  |        |
| 9    | 14012032    |         | 偏心连杆                |          | Eccentric connecting rod          |             | 1  |        |
| 10   | 11303012    |         | 短套                  |          | Short bushing                     |             | 2  |        |
| 11   | 113S17002   |         | 螺钉SM11/64"x40 L=4.4 |          | Screw SM11/64"x40 L=4.4           |             | 2  |        |
| 12   | 14019004    |         | 活动刀(薄料短槽)           |          | Moterial knife                    |             | 1  |        |
| 13   | 114119002   |         | 活动刀(厚料短槽)           |          | Moterial knife(H)                 |             | 1  |        |
| 14   | 11307001    |         | 剪线刀架                |          | Knife bracket                     |             | 1  |        |
| 15   | 113S20001   |         | 连杆螺钉SM11/64"x40     |          | Hinge Screw SM11/64"x40           |             | 2  |        |
| 16   | 114112013   |         | 连杆                  |          | Connecting rod                    |             | 1  |        |
| 17   | 114S16004   |         | 螺母SM11/64"x40       |          | Nut SM11/64"x40                   |             | 1  |        |
| 18   | 14004002    |         | 切线曲柄                |          | Crank                             |             | 1  |        |
| 19   | 115022003   |         | 驱动曲柄止动块             |          | Crank driver stopper block        |             | 1  |        |
| 20   | S05004      |         | 螺钉M5 L=14           |          | Screw M5 L=14                     |             | 1  |        |
| 21   | 11327001    |         | 弹簧                  |          | Spring                            |             | 1  |        |
| 22   | 11230004    |         | 14孔接线器              |          | Plug                              |             | 1  |        |
| 23   | 11303003    |         | 切线轴套                |          | Thread cutting shaft bushing      |             | 1  |        |
| 24   | 11503005    |         | 驱动曲柄轴衬套             |          | Crank drive shaft bushing         |             | 1  |        |
| 25   | 113S14020   |         | 螺钉SM11/64"x40 L=6   |          | Screw SM11/64"x40 L=6             |             | 1  |        |
| 26   | 11322002    |         | 扭簧端盖                |          | Spring cover                      |             | 1  |        |
| 27   | 11327002    |         | 弹簧                  |          | Spring                            |             | 1  |        |
| 28   | 11304002    |         | 切线凸轮曲柄轴             |          | Crank shaft                       |             | 1  |        |
| 29   | 101S14001   |         | 螺钉SM1/4"x40 L=6     |          | Screw SM1/4"x40 L=6               |             | 1  |        |
| 30   | 116S14005   |         | 螺钉SM1/4"x40 L=10    |          | Screw SM1/4"x40 L=10              |             | 2  |        |
| 31   | 11309030    |         | 凸轮顶柱                |          | Push rod                          |             | 2  |        |
| 32   | 11310004    |         | 剪线凸轮                |          | Cam                               |             | 1  |        |
| 33   | 11310011    |         | 剪线凸轮(厚料)            |          | Cam(H)                            |             | 1  |        |
| 34   | 11324001    |         | 漆柱                  |          | Roolling pin                      |             | 1  |        |
| 35   | 1138NS16001 |         | 螺母SM11/64"x40       |          | Nut SM11/64"x40                   |             | 1  |        |
| 36   | 1400400100  |         | 剪线驱动组件              |          | Thread trimmer drive asm.         |             | 1  |        |
| 37   | 14002004    |         | 切线驱动轴               |          | Shaft                             |             | 1  |        |
| 38   | H05013      |         | GB/T896-1986挡圈6     |          | Snap ring 6                       |             | 1  |        |
| 39   | 10112003    |         | 针杆曲柄护板              |          | Cunter weight protecting          |             | 1  |        |
| 40   | 11322003    |         | 电磁铁缓冲片              |          | Solenoid cushion rubber           |             | 1  |        |
| 41   | 11493000500 |         | 剪线电磁铁组件             |          | Thread trimmer solenoid asm.      |             | 1  |        |
| 42   | 113822005   |         | 电磁铁橡胶垫              |          | Washer                            |             | 1  |        |
| 43   | 112S16006   |         | 螺母SM1/4"X40         |          | Nut SM1/4"X40                     |             | 1  |        |
| 44   | 1401200200  |         | 切线电磁铁顶架组件           |          | Bracket                           |             | 1  |        |
| 45   | 11309001    |         | 切线电磁铁顶销             |          | Solenoid pin                      |             | 1  |        |
| 46   | W02018      |         | GB/T93-1987弹簧垫圈 4   |          | Washer                            |             | 2  |        |
| 47   | N01005      |         | 螺母 M4               |          | Nut M4                            |             | 2  |        |
| 48   | S17002      |         | 螺钉M6 L=10           |          | Screw M6 L=10                     |             | 2  |        |
| 49   | 14127003    |         | 剪线复位簧               |          | Spring                            |             | 1  |        |
| 50   | 14112022    |         | 切线杠杆                |          | Tangent lever                     |             | 1  |        |
| 51   | 10112003    |         | 针杆曲柄护板              |          | Needle bar crank protecting plate |             | 1  |        |
| 52   | H03015      |         | GB/T894.1卡簧8        |          | Ring 8                            |             | 1  |        |
| 53   | 11230004    |         | 12孔接线器              |          | Plug                              |             | 1  |        |





## 7. 绕线部件/ Bobbin Components

| 序号NO | 公司件号        | Part NO | 名称                | PartName | 零件描述                        | Description | 数量 | Number |
|------|-------------|---------|-------------------|----------|-----------------------------|-------------|----|--------|
| 1    | 1413104900  |         | 绕线器组件             |          | Bobbin winder asm           |             | 1  |        |
| 2    | 114511008   |         | 螺钉M4 L=6          |          | Screw M4 L=6                |             | 1  |        |
| 3    | W02863      |         | GB 93弹簧垫圈4        |          | Washer 4                    |             | 1  |        |
| 4    | W01142      |         | GB/T 97.1平垫圈4     |          | Washer 4                    |             | 1  |        |
| 5    | 14113002    |         | 压线控制板             |          | Pressure line control board |             | 1  |        |
| 6    | 14112020    |         | 垫圈                |          | Washer                      |             | 1  |        |
| 7    | 13812110    |         | 调节板               |          | Regulating plate            |             | 1  |        |
| 8    | 13827013    |         | 满线复位簧             |          | Reset spring                |             | 1  |        |
| 9    | 1411000300  |         | 绕线凸轮组件            |          | Winding cam asm.            |             | 1  |        |
| 10   | 11329020    |         | 开口挡圈5             |          | Ring 5                      |             | 2  |        |
| 11   | 1141NS10001 |         | 复合槽盘头螺钉SM9/64°×40 |          | Screw SM9/64°×40            |             | 1  |        |
| 12   | W02865      |         | GB 93弹簧垫圈3        |          | Washer 3                    |             | 1  |        |
| 13   | 14111004    |         | 绕线轮               |          | Winding wheel               |             | 1  |        |
| 14   | O01110      |         | O型圈25x7           |          | O ring 25x7                 |             | 1  |        |
| 15   | S04090      |         | 螺钉M2 L=4          |          | Screw M2 L=4                |             | 1  |        |
| 16   | 14119003    |         | 割线刀               |          | Secant cutter               |             | 1  |        |
| 17   | 14111002    |         | 绕线衬垫              |          | Winding gasket              |             | 1  |        |
| 18   | 113831002   |         | 绕线器装置主座           |          | The main seat               |             | 1  |        |
| 19   | 10127061    |         | 复位板拉簧             |          | Drag spring                 |             | 2  |        |
| 20   | 14127060    |         | 弹簧                |          | Spring                      |             | 1  |        |
| 21   | 14102003    |         | 绕线器主轴             |          | principal axis              |             | 1  |        |
| 22   | 1410510600  |         | 绕线器连杆组件           |          | Bobbin connecting rod asm   |             | 1  |        |
| 23   | 14111006    |         | 止动轮               |          | Driven wheel                |             | 1  |        |
| 24   | N07008      |         | 螺母SM9/64°×40      |          | Nut SM9/64°×40              |             | 1  |        |
| 25   | S09103      |         | 螺钉M4 L=4          |          | Screw M4 L=4                |             | 2  |        |
| 26   | 11422062    |         | 密封垫               |          | Washer                      |             | 1  |        |
| 27   | 114511003   |         | 螺钉SM3/16°×28 L=10 |          | Screw SM3/16°×28 L=10       |             | 3  |        |
| 28   | S10009      |         | 螺钉M6 L=8          |          | Screw M6 L=8                |             | 2  |        |
| 29   | 11435013    |         | 绕线器驱动轮            |          | Driving wheel               |             | 1  |        |
| 30   | 1411300600  |         | 底线夹线器             |          | Bobbin thread tension asm.  |             | 1  |        |
| 31   | 141S16019   |         | 小夹线器螺母            |          | Thread tension nut          |             | 1  |        |
| 32   | 11427006    |         | 小夹线弹簧             |          | Spring                      |             | 1  |        |
| 33   | 14112015    |         | 夹线板               |          | Thread tension disk         |             | 2  |        |
| 34   | 11413022    |         | 夹线过线板             |          | Thread tension guide plate  |             | 1  |        |
| 35   | 112S13004   |         | 夹线螺钉              |          | Screw                       |             | 1  |        |
| 36   | 114S16001   |         | 螺母SM11/64°×40     |          | Nut SM11/64°×40             |             | 1  |        |

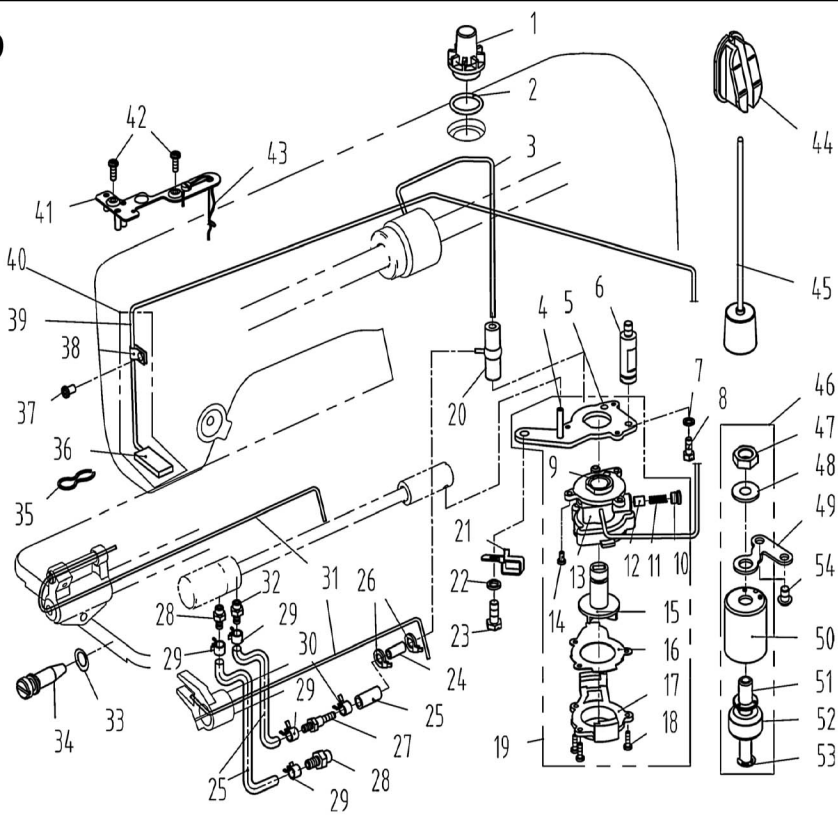


## 8. 油盘、膝抬压脚部件/Oil Reservoir &amp; Knee Lifter Components

| 序号NO | 公司件号       | Part NO | 名称                 | PartName | 零件描述                                 | Description | 数量 | Number |
|------|------------|---------|--------------------|----------|--------------------------------------|-------------|----|--------|
| 1    | 114101010  |         | 油盘                 |          | Oil reservoir                        |             | 1  |        |
| 2    | 14022001   |         | 油盘密封垫              |          | Seal                                 |             | 1  |        |
| 3    | H05012     |         | 开口挡圈4(日标)          |          | Snap ring 4                          |             | 1  |        |
| 4    | 40128013   |         | 垫圈 6.2×13×1        |          | washer 6.2×13×1                      |             | 2  |        |
| 5    | 14327002   |         | 顶帽弹簧               |          | Knee lifter push rod Spring          |             | 1  |        |
| 6    | 11211005   |         | 自锁式尼龙扎带            |          | Cable band                           |             | 1  |        |
| 7    | 114111012  |         | 顶帽组件               |          | Knee lifter push rod                 |             | 1  |        |
| 8    | 114122009  |         | 顶帽防护帽              |          | Knee lifter push rod hat             |             | 1  |        |
| 9    | 101S11023  |         | 螺钉SM3/16°×28 L=6.5 |          | Screw SM3/16°×28 L=6.5               |             | 1  |        |
| 10   | 10131001   |         | 油盘磁铁               |          | Oil reservoir magnet                 |             | 1  |        |
| 11   | 1401202700 |         | 抬压脚双向曲柄组件          |          | Lifting foot bidirectional crank asm |             | 1  |        |
| 12   | 10112027   |         | 抬压脚双向曲柄            |          | Knee lifter crank                    |             | 1  |        |
| 13   | 14027016   |         | 双向曲柄扭簧             |          | Knee lifter spring                   |             | 1  |        |
| 14   | H05010     |         | 挡圈9                |          | Snap ring 9                          |             | 1  |        |
| 15   | 1400200100 |         | 抬压脚轴组件             |          | Knee lifter shaft                    |             | 1  |        |
| 16   | S07020     |         | 螺钉M6 L=20          |          | Screw M6 L=20                        |             | 2  |        |
| 17   | 101S16004  |         | 螺母M6               |          | Nut M6                               |             | 2  |        |
| 18   | 101S12002  |         | 螺钉M6 L=24.5        |          | Screw M6 L=24.5                      |             | 1  |        |
| 19   | S05240     |         | 螺钉M6 L=20          |          | Screw M6 L=20                        |             | 4  |        |
| 20   | 20528014   |         | 油盘放油垫圈             |          | Ring                                 |             | 1  |        |
| 21   | 301S11015  |         | 螺钉SM3/8°×28 L=13   |          | Screw SM3/8°×28 L=13                 |             | 1  |        |
| 22   | 113S11004  |         | 螺钉M4 L=8           |          | Screw M4 L=8                         |             | 1  |        |
| 23   | 114112021  |         | 电线压板               |          | Wire clamp                           |             | 1  |        |



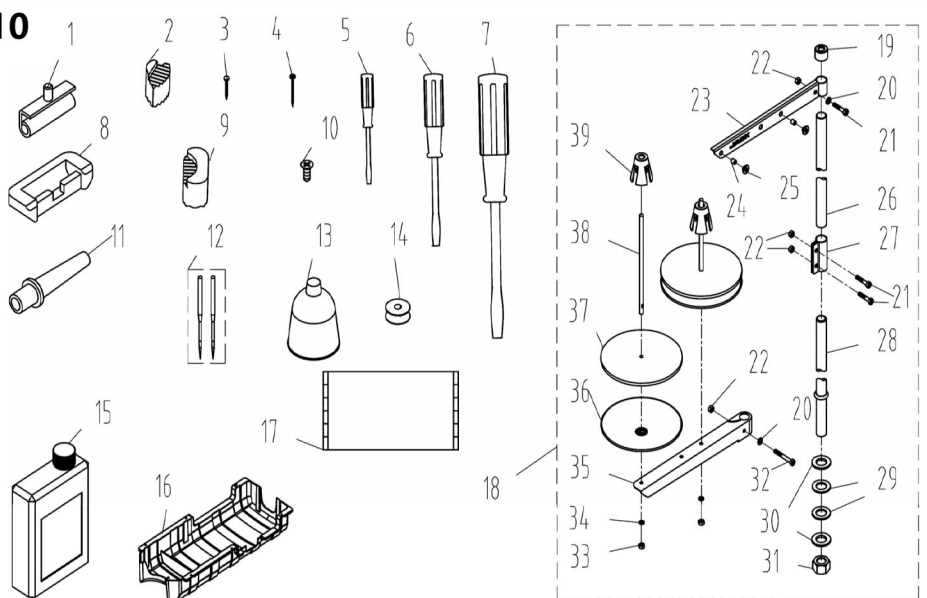
9



## 9. 润滑、油量检测部件/Oil Lubrication &amp; Oil Measuring Components

| 序号NO | 公司件号           | Part NO | 名称                   | PartName | 零件描述                           | Description | 数量    | Number |
|------|----------------|---------|----------------------|----------|--------------------------------|-------------|-------|--------|
| 1    | 11211004       |         | 油窗                   |          | Oil sight window               |             | 1     |        |
| 2    | 10122019       |         | 油窗O形圈                |          | Rubber ring                    |             | 1     |        |
| 3    | 14121001       |         | 上轴供油管                |          | Main shaft oil tube            |             | 1     |        |
| 4    | 10121001       |         | 下轴供油管                |          | Hook driving shaft oil tube    |             | 1     |        |
| 5    | 10112020       |         | 油泵安装板                |          | Oil pump installing base       |             | 1     |        |
| 6    | 101S30008      |         | 油泵连接螺柱               |          | Oil pump connecting stud       |             | 1     |        |
| 7    | W03002         |         | 弹垫                   |          | Spring washer                  |             | 1     |        |
| 8    | 209S12001      |         | 螺钉SM11/64"×40 L=10.5 |          | Screw SM11/64"×40 L=10.5       |             | 1     |        |
| 9    | 10103022       |         | 油泵体衬套                |          | Oil pump bushing               |             | 1     |        |
| 10   | 101S30007      |         | 螺钉M7X0.75 L=5        |          | Screw M7X0.75 L=5              |             | 1     |        |
| 11   | 10127013       |         | 柱塞簧                  |          | Plunger spring                 |             | 1     |        |
| 12   | 10122018       |         | 回油柱塞                 |          | Plunger                        |             | 1     |        |
| 13   | 10120001       |         | 油泵体                  |          | Oil pump                       |             | 1     |        |
| 14   | S04093         |         | 螺钉M3 L=6             |          | Screw M3 L=6                   |             | 3     |        |
| 15   | 10111003       |         | 油泵叶轮                 |          | Oil pump impeller              |             | 1     |        |
| 16   | 10112021       |         | 油泵叶轮托板               |          | Oil pump impeller cover        |             | 1     |        |
| 17   | 10111007       |         | 油泵盖                  |          | Lubricating oil pump cover     |             | 1     |        |
| 18   | 101S30006      |         | 螺钉ST2.9 L=10         |          | Screw ST2.9 L=10               |             | 3     |        |
| 19   | 1012000100     |         | 油泵组件                 |          | Lubricating oil pump component |             | 1     |        |
| 20   | 10136001       |         | 供油管接头                |          | Rubber joint                   |             | 1     |        |
| 21   | 14112007       |         | 过线勾                  |          | Thread hook                    |             | 1     |        |
| 22   | W02004         |         | GB/T93-1987弹垫M6      |          | Spring Washer M6               |             | 1     |        |
| 23   | 116S30003      |         | 螺钉SM15/64"×28 L=14.5 |          | Screw SM15/64"×28 L=14.5       |             | 1     |        |
| 24   | 14021003       |         | 铝油管                  |          | Aluminum tubing                |             | 1     |        |
| 25   | 14021001       |         | PVC油管                |          | Tubing                         |             | 0.48m |        |
| 26   | 113811004      |         | 尼龙扎带                 |          | Cable band                     |             | 2     |        |
| 27   | 14036004       |         | 油盘油嘴                 |          | Oil nozzle                     |             | 1     |        |
| 28   | 14036002       |         | 回油嘴                  |          | Oil nozzle                     |             | 2     |        |
| 29   | 20429001       |         | 油管卡簧                 |          | Oil pipe clamp spring          |             | 4     |        |
| 30   | 30129007       |         | 油管卡簧                 |          | Oil pipe clamp spring          |             | 1     |        |
| 31   | 10123010       |         | 油线                   |          | Oil wick                       |             | 2     |        |
| 32   | 14036003       |         | 供油嘴                  |          | Oil nozzle                     |             | 1     |        |
| 33   | 14022011       |         | O型圈                  |          | Rubber ring                    |             | 1     |        |
| 34   | 140S30001      |         | 油量调节螺钉               |          | Oil volume adjusting screw     |             | 1     |        |
| 35   | 10127015       |         | 回油毡夹                 |          | Oil felt clamp                 |             | 1     |        |
| 36   | 10123006       |         | 回油毡                  |          | Oil felt felt                  |             | 1     |        |
| 37   | 101S11004      |         | 螺钉SM3/16"×28 L=7     |          | Screw SM3/16"×28 L=7           |             | 1     |        |
| 38   | 10112023       |         | 回油管夹                 |          | Oil tube clamp                 |             | 1     |        |
| 39   | 10121008       |         | 回油管                  |          | Oil return tube                |             | 1     |        |
| 40   | 10121007       |         | 回油管组件                |          | Oil return tube component      |             | 1     |        |
| 41   | 10112025       |         | 油线固定板                |          | Oil wick fixing plate          |             | 1     |        |
| 42   | 101S11010      |         | 螺钉SM9/64"×40 L=11    |          | Screw SM9/64"×40 L=11          |             | 2     |        |
| 43   | 10123010       |         | 油线                   |          | Oil wick                       |             | 1     |        |
| 44   | 13811015       |         | 油窗                   |          | Oil window                     |             | 1     |        |
| 45   | 11412200200    |         | 油标组件                 |          | Buoy                           |             | 1     |        |
| 46   | 11493000700    |         | 油量检测装置组件             |          | Oil measuring device           |             | 1     |        |
| 47   | 140S16001      |         | 螺母                   |          | Nut                            |             | 1     |        |
| 48   | 14028001       |         | 弹性垫圈                 |          | Washer                         |             | 1     |        |
| 49   | 14012006       |         | 油量检测装置固定板            |          | Pull spring fixing plate       |             | 1     |        |
| 50   | 14011004       |         | 油量检测罩壳               |          | Shell                          |             | 1     |        |
| 51   | 14002005       |         | 导向支柱                 |          | Guide pillar                   |             | 1     |        |
| 52   | 11493000700-02 |         | 浮子                   |          | Float                          |             | 1     |        |
| 53   | H05040         |         | 开口挡圈6                |          | Ring 6                         |             | 1     |        |
| 54   | 101S11026      |         | 螺钉SM15/64"×28 L=9    |          | Screw SM15/64"×28 L=9          |             | 2     |        |

10



## 10. 机头附件/Machine Head Accessories(1)

| 序号 NO | 公司件号        | Part NO | 名称         | PartName | 零件描述               | Description | 数量 | Number |
|-------|-------------|---------|------------|----------|--------------------|-------------|----|--------|
| 1     | 1011203100  |         | 机头连接钩部件    |          | Hinge component    |             | 2  |        |
| 2     | 14022022    |         | 机头座垫       |          | Die cushion        |             | 2  |        |
| 3     | 101S30010   |         | 机头连接钩座钉P19 |          | Nail P19           |             | 2  |        |
| 4     | 1141NS30001 |         | 机头连接钩座钉P25 |          | Nail P25           |             | 4  |        |
| 5     | 10131004    |         | 螺丝刀(小)     |          | Screw driver,small |             | 1  |        |

## 10. 机头附件/Machine Head Accessories(2)

| 序号 NO | 公司件号       | Part NO | 名称             | PartName | 零件描述                           | Description | 数量 | Number |
|-------|------------|---------|----------------|----------|--------------------------------|-------------|----|--------|
| 6     | 10131003   |         | 螺丝刀 (中)        |          | Screw driver,medium            |             | 1  |        |
| 7     | 20731047   |         | 螺丝刀 (大)        |          | Screw driver,large             |             | 1  |        |
| 8     | 10122060   |         | 机头连接钩座         |          | Head connecting rubber cushion |             | 2  |        |
| 9     | 14022023   |         | 机头支架           |          | Nose support                   |             | 2  |        |
| 10    | 101530014  |         | 螺钉M4 L=20      |          | Wood screw M4 L=20             |             | 6  |        |
| 11    | 115011003  |         | 机头支柱           |          | Machine head rest pin          |             | 1  |        |
| 12    | 13817001   |         | 机针 (定位14#)     |          | Needle                         |             | 4  |        |
|       | 10117002   |         | 机针DP×5#21 (厚料) |          | Needle(H)                      |             | 4  |        |
| 13    | 20131039   |         | 漏斗             |          | Funnel                         |             | 1  |        |
| 14    | 10118003   |         | 梭心             |          | Bobbin                         |             | 2  |        |
| 15    | 1381101200 |         | 油壶组件           |          | Oiler component                |             | 1  |        |
| 16    | 115011005  |         | 油盘托盘           |          | Disk tray                      |             | 1  |        |
| 17    | 114131001  |         | 防尘罩            |          | Dust cover                     |             | 1  |        |
| 18    | 1383100300 |         | 线架组件           |          | Thread stand asm.              |             | 1  |        |
| 19    | 20131019   |         | 线架杆顶防护橡皮       |          | Spool rest rod rubber cap      |             | 1  |        |
| 20    | W01047     |         | 平垫圈5           |          | Washer 5                       |             | 2  |        |
| 21    | S04050     |         | 螺栓M5 L=16      |          | Screw M5 L=16                  |             | 1  |        |
| 22    | N01034     |         | 螺母M5           |          | Nut M5                         |             | 4  |        |
| 23    | 13831022   |         | 上线架过线杆         |          | Spool rest arm upper           |             | 1  |        |
| 24    | 10113011   |         | 过线圈 (内)        |          | Thread guide ring              |             | 2  |        |
| 25    | 10113010   |         | 过线圈 (外)        |          | Thread guide ring              |             | 2  |        |
| 26    | 13831019   |         | 线架杆上节          |          | Spool rest rod upper           |             | 1  |        |
| 27    | 13831021   |         | 线架杆接头          |          | Spool rest rod joint           |             | 1  |        |
| 28    | 13831020   |         | 线架杆下节          |          | Spool rest rod lower           |             | 1  |        |
| 29    | 10122106   |         | 橡胶垫圈           |          | Spool rest rod rubber ring     |             | 2  |        |
| 30    | W01052     |         | 平垫圈16          |          | Washer 16                      |             | 2  |        |
| 31    | N02004     |         | 螺母M16×1.5      |          | Nut M16×1.5                    |             | 1  |        |
| 32    | S04051     |         | 螺栓M5 L=31.5    |          | Screw M5 L=31.5                |             | 1  |        |
| 33    | N01034     |         | 螺母M5           |          | Nut M5                         |             | 2  |        |
| 34    | W03002     |         | 弹簧垫圈 5         |          | Spring washer 5                |             | 2  |        |
| 35    | 13831023   |         | 下线架过线杆         |          | Spool rest arm lower           |             | 1  |        |
| 36    | 13831024   |         | 线盘             |          | Spool rest                     |             | 2  |        |
| 37    | 20131010   |         | 线盘垫            |          | Spool rest cushion             |             | 2  |        |
| 38    | 20131006   |         | 线托棒            |          | Spool pin                      |             | 2  |        |
| 39    | 13831025   |         | 线团防松垫          |          | Spool retainer                 |             | 2  |        |

公司地址(Address of Company) :

中国浙江省台州市椒江区三甲东海大道东段1008号

NO.1008, DONGHAI AVENUE EAST, JIAOJIANG DISTRICT,TAIZHOU CITY, ZHEJIANG

邮编( Zip Code ) : 318000

国内销售部(Domestic Trade Department):

电话(TEL): 0086-0576-88177788 88177789

传真(FAX): 0086-0576-88177758

国贸部(International Trade Department):

电话(TEL): 0086-0576-88177782 88177774

传真(FAX): 0086-0576-88177787

服务热线: 400-8876858

http://www.chinajack.com

资料如有更改, 恕不另行通知, 以实物为准。

You will be not informed if the file has been revised.Please set sample as standard.

日期: 2020.12



请您扫下杰克服务号

www.chinajack.com