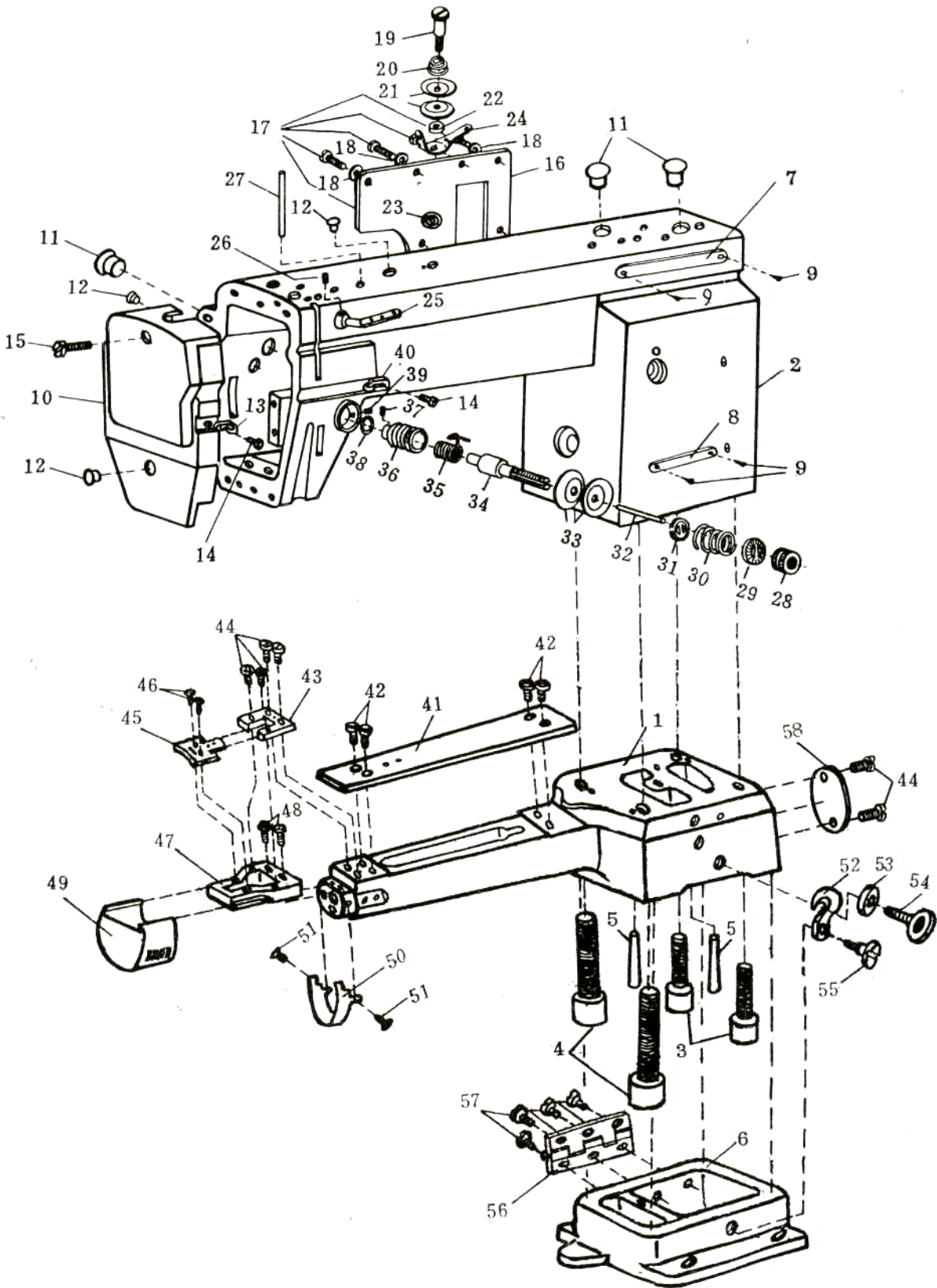


TYPICAL
GC2301/GC2603

Parts Book

1.

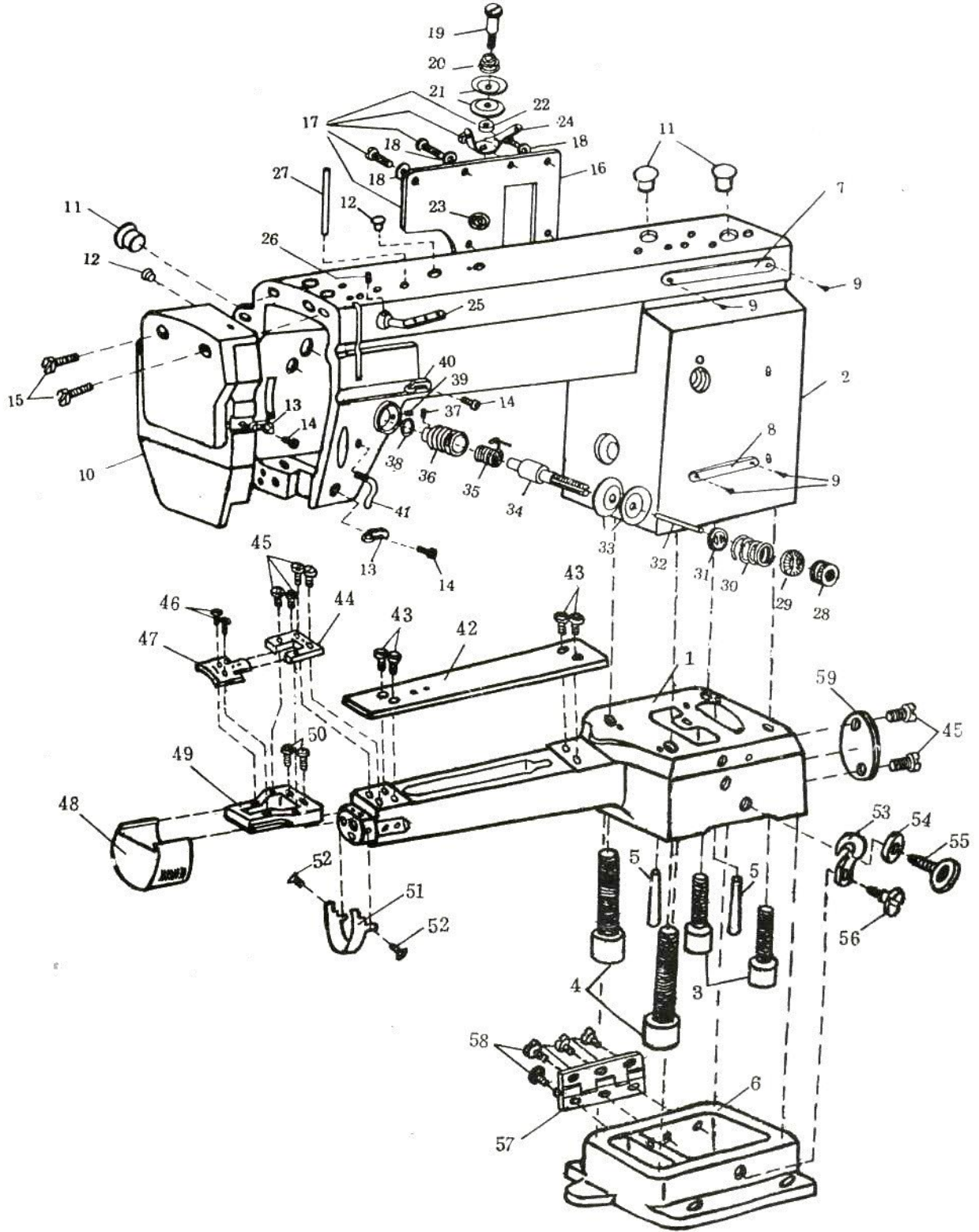


1. Model GC 2301 Arm And Bed

Item	Description	Part number	Pcs
1	Cylinder bed	37T4-402	1
2	Arm	39T4-401	1
3	Bolt		2
4	Bolt		2
5	Arm dowel pin		1
6	Base plate	37T4-401	1
7	Model plate	39T4-402	1
8	Trade mark	39T4-404	1
9	Trade mark rivet		4
10	Face plate	35T4-402 _a	1
11	Sight window rubber plug(Φ19)	22T4-003C3	1
	Arm top rubber plug(Φ19)		2
	Face plate rubber plug(Φ11.8)		
12	Eccentric screw hole plug(Φ11.8)	22T1-003C4	1
	Knee lift lever(left)screw hole rubber plug(Φ11.8)		1
13	Face plate thread guard	22T1-003C5	1
14	Face place thread guard screw	22T1-003C6	1
	Thread guide screw		1
15	Face plate screw	22T1-004	2
16	Arm side cover	34T4-405	1
17	Arm side cover screw	22T1-006	6
18	Arm side cover screw washer	22T1-007	6
19	Small tension stud	22T1-009E1	1
20	Small tension spring	22T1-009E2	1
21	Small tension disc	22T1-009E3	2
22	Thread guide plate washer	22T1-009E4	1
23	Snap ring		1
24	Thread guide plate	22T1-009E5	1
25	Thread retainer	22T1-010	1
26	Thread retainer screw	22T1-011	1
27	Arm shaft flanged bushing(front)oil table	33T4-004	1
28	Tension regulating thumb nut	22T1-012F2	1
29	Tension regulating thumb nut friction washer	22T1-012F10	1
30	Tension spring	33T4-008C1	1
31	Tension releasing disc	22T1-012F4	1
32	Tension releasing pin	22T1-012F9	1
	Tension disc	22T1-012F5	1
34	Tension stud	22T1-012F1	1
35	Thread take up spring	22T1-012F6	1
36	Thread take up spring regulator	22T1-012F7	1
37	Tension stud set screw	22T1-012F8	1
38	O-ring	22T1-012F11	1
39	Thread take—up spring regulator set screw	22T1-013	1
40	Thread guide	22T1-014	1

Item	Description	Part number	Pcs
41	Cylinder cover plate	37T4-417	1
42	Cylinder cover plate screw	37T4-418	6
43	Throat plate and. rotating hook position bracket cover plate	37T4-415	1
44	Throat plate and rotating hook position bracket cover plate screw.	37T4-416	4
45	Throat plate	39T4-403	1
46	Throat plate screw	37T4-412	2
47	Throat plate and rotating hook position bracket	37T4-405	1
48	Throat plate and rotating hook position bracket screw	37T4-406	2
49	Slide ring	37T4-421	1
50	Back—up ring(or: guard ring)	37T4-419	1
51	Back up ring screw	37T4-420	2
52	Cylinder bed connecting hook	37T4-409	1
53	Washer	39T4-411	1
54	Cylinder bed connecting hook set screw	37T4-410	1
55	Cylinder bed connecting hook screw	37T4-412	1
56	Hinge	37T4-407	1
57	Hinged screw	37T4-408	6
58	Cylinder bed back cover (plate)	37T4-422	1

2.

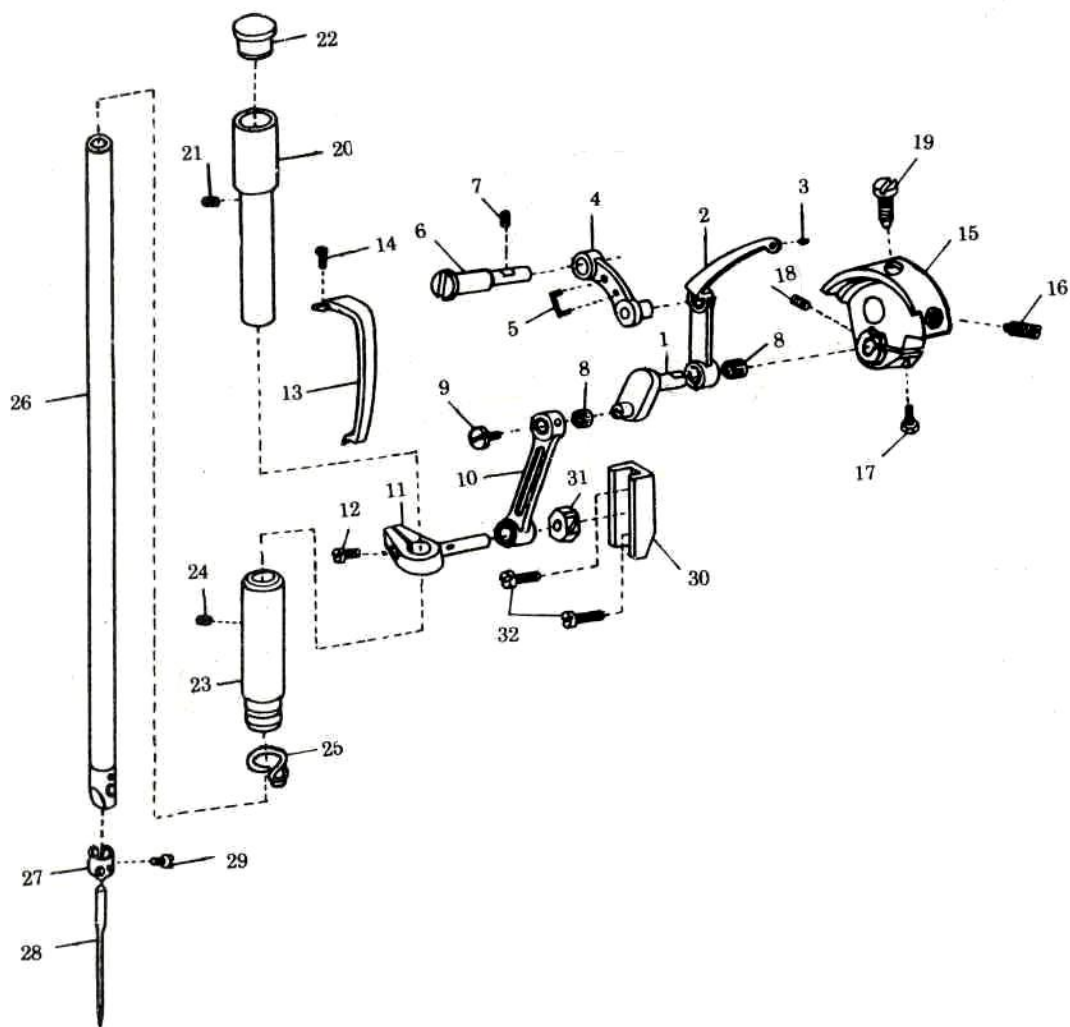


2. Model GC 2603 Arm And Bed

Item	Description	Part number	Pes
1	Cylinder bed	37T4-402	1
2	Arm	37T4-403-A	1
3	Bolt		2
4	Bolt		2
5	Arm dowel pin		1
6	Base plate	37T4-401	1
7	Model plate	37T4-401-A	1
8	Trade Mark	37T4-402-A	1
9	Trade Mark rivet		4
10	Face plate	35T4-420a	1
11	Sight window rubber plug(Φ 19)	22T1-003C3	1
	Arm top rubber plug(Φ 19)		2
12	Eccentric screw hole rubber(Φ 11.8)	22T1-003C4	1
	Knee lift lever(left)screw hole rubber plug(Φ 11.8)		1
13	Face place thread guard	22T4-003C5	1
14	Face plate thread guard screw	22T4-003C6	1
	Thread guide screw		1
15	Face plate screw	22T4-004	2
16	Arm slide cover	34T4-405	1
17	Arm slide cover screw	22T4-006	6
18	Arm side cover screw washer	22T1-007	6
19	Small tension stud	22T1-009E1	1
20	Small tension spring	22T1-009E2	1
21	Small tension disc	22T1-009E3	2
22	Thread guide plate washer	22T1-009E4	1
23	Snap ring		1
24	Thread guide plate	22T1-009E5	1
25	Thread retainer	22T1-010	1
26	Thread retainer screw	22T1-011	1
27	Arm shaft flanged bushing(front)oil tube	33T4-004	1
28	Tension regulating thumb nut	22T1-012F2	1
29	Tension regulating thumb nut friction washer	22T1-012F10	1
30	Tension spring	33T4-008C1	1
31	Tension releasing disc	22T1-012F4	1
32	Tension releasing pin	22T1-012F9	1
33	Tension disc	22T1-012F5	2
34	Tension stud	22T1-012F1	1
35	Thread take-up spring	22T1-012F6	1
36	Thread take-up spring regulator	22T1-012F7	1
37	Tension stud set screw	22T1-012F8	1
38	O—ring	22T1-012F11	1
39	Thread take-up spring regulator set screw	22T1-013	1
40	Thread guide	22T1-014	1

Item	Description	Part number	Pcs
41	Big thread guide	35T4-405	1
42	Cylinder cover plate	37T4-417	1
43	Cylinder cover plate screw	37T4-418	6
44	Throat plate and rotating hook position bracket cover plate	37T4-415	1
45	Throat plate and rotating hook position bracket cover plate screw.	37T4-416	4
46	Throat plate screw	37T4-414	2
47	Throat plate	37T4-413	1
48	Slide ring	37T4-421	1
49	Throat plate and rotating hook position bracket	37T4-405	1
50	Throat plate and rotating hook position bracket screw	37T4-406	2
51	Back up ring	37T4-419	1
52	Back up ring screw	37T4-420	2
53	Cylinder bed connecting hook	39T4-409	1
54	Washer	37T4-411	1
55	Cylinder bed connecting hook set screw	37T4-410	1
56	Cylinder bed connecting hook screw	37T4-412	1
57	Hinge rivet	37T4-407	1
58	Hinged screw	37T4-408	6
59	Cylinder bed back cover (plate)	37T4-422	1

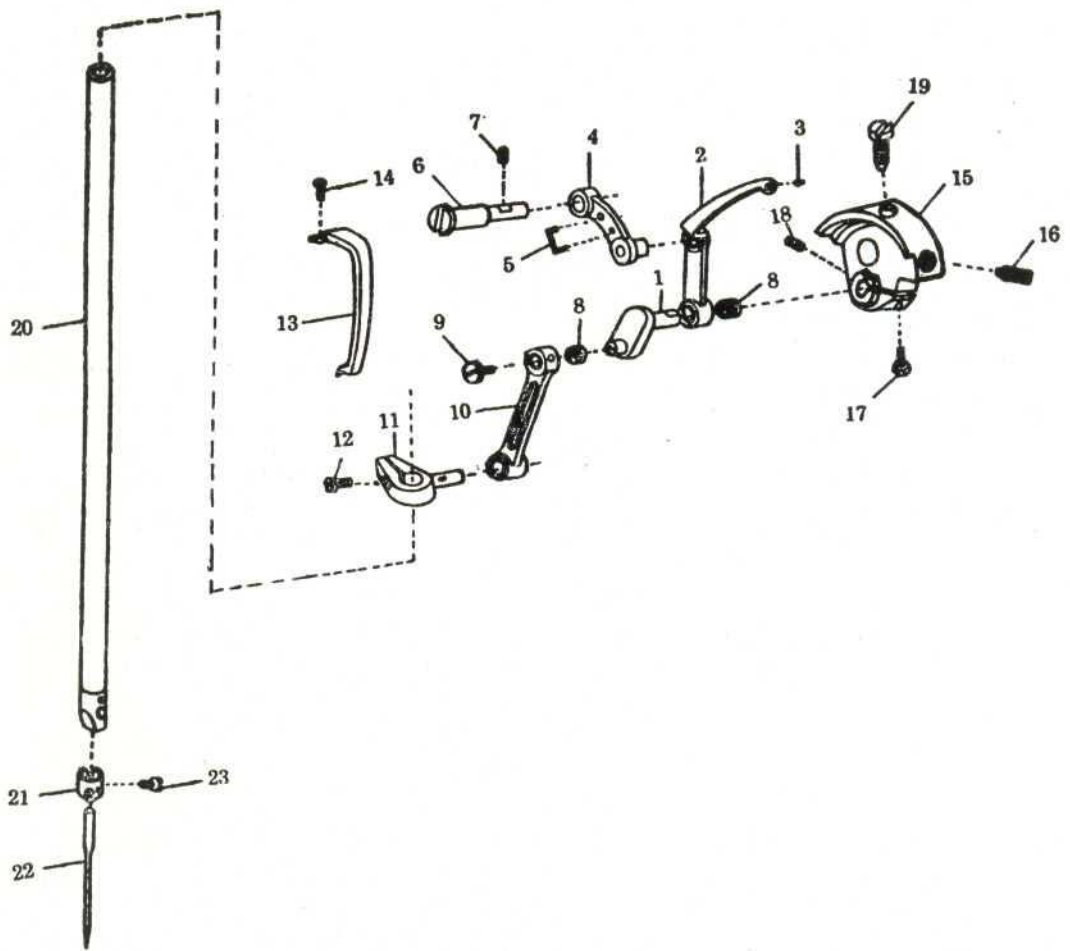
3.



3. Model GC 2301 Needle Bar And Thread Take-up

Item	Description	Part number	Pes
1	Thread take-up crank	33T1-001	1
2	Thread take-up lever	33T1-004B1	1
3	Thread take-up lever eyelet bushing	33T1-004B2	1
4	Thread take-up link	33T1-003A1	1
5	Thread take-up link oil wick	33T1-003A2	1
6	Thread take—up link hinge pin	33T1-002	1
7	Thread take—up link hinge pin set screw	J0.0.40	1
8	Needle bearing	19242/8	2
9	Needle bar connecting link cap screw(left rotation)	22T2-001A6	1
10	Needle bar connecting link	33T1-014	1
11	Needle bar connecting stud	130032	1
12	Needle bar connecting stud clamping screw	22T2-001A9	1
13	Thread take—up lever guard	33T4-007	1
14	Thread take-up lever guard screw	22T2-004	1
15	Needle bar crank	33T1-006C1	1
16	Needle bar crank set screw	33T1-006C2	1
17	Thread take—up crank clamping screw	33T1-006C3	1
18	Thread take—up crank position screw	22T2-005B3	1
19	Needle bar crank clamping screw	61-04-01/B2	1
20	Needle bar bushing (upper)	22T2-008	1
21	Needle bar bushing(upper) set screw	J0.0.35	1
22	Needle bar bushing(upper)rubber plug	22T2-011	1
23	Needle bar bushing (lower)	34T1-001	1
24	Needle bar bushing(lower)set screw.	22T2-013	1
25	Needle bar bushing(lower)thread guard.	33T1-016I2	1
26	Needle bar	33T1-017	1
27	Needle bar thread guide	22T2-015	1
28	Needle		1
29	Needle set screw	22T1-017	1
30	Needle bar connecting stud block guide rail	33T1-012	1
31	Needle bar connecting stud block	33T1-013	1
32	Needle bar connecting stud block guide rail screw	22T1-019	2

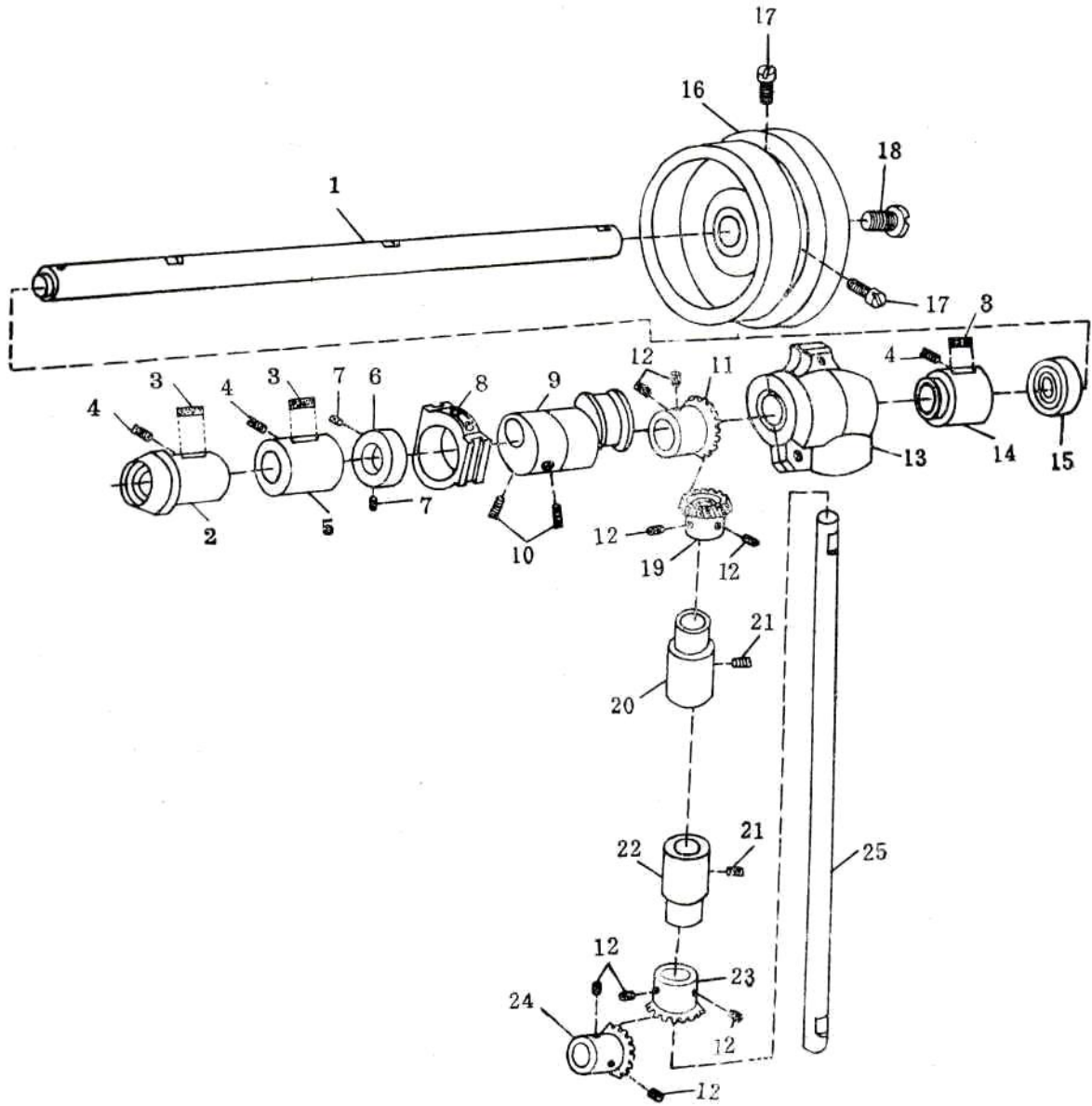
4.



4. Model GC 2603 Needle Bar And Thread Take-up

Item	Description	Part number	Pes
1	Thread take—up crank	33T1-001	1
2	Thread take—up lever	33T1-004B1	1
3	Thread take—up lever eyelet bushing	33T1-004B2	1
4	Thread take—up lever link	33T1-003A1	1
5	Thread take—up lever link oil wick	33T1-003A2	1
6	Thread take—up lever link hinge pin	33T1-002	1
7	Thread take—up lever link hinge pin set screw	J0.0.40	1
8	Needle bar bearing	19242/8	2
9	Needle bar connecting link cap screw (left rotatwn)	22T2-001A6	1
10	Needle bar connecting link	33T1-014	1
11	Needle bar connecting stud	130032	1
12	Needle bar connecting stud clamping screw	22T2-001A ₉	1
13	Thread take—up lever guard	33T4-007	1
14	Thread take—up lever guard screw	22T2-004	1
15	Needle bar crank	33T1-006C1	1
16	Needle bar crank set screw	33T1-006C2	1
17	Thread take-up crank clamping screw	33T1-006C3	1
18	Thread take-up crank position screw	22T2-005B3	1
19	Needle bar crank clamping screw	61-04001/B2	1
20	Needle bar	33T1-017	1
21	Needle bar thread guide	22T2-015	1
22	Needle		1
23	Needle set screw	22T1-017	1

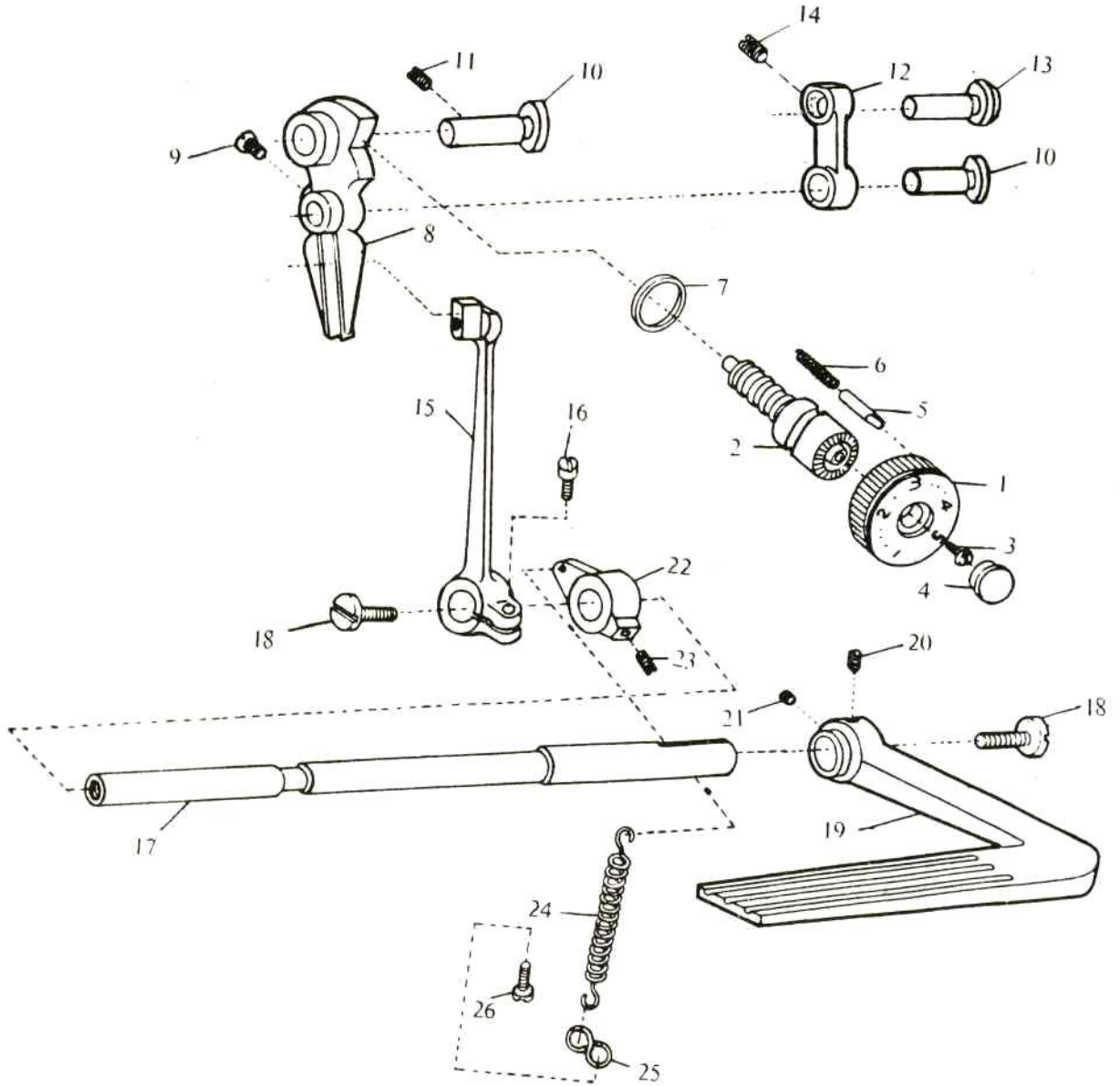
5.



5. Arm shaft And Vertical Shaft

Item	Description	Part number	Pes
1	Arm shaft	33T1-008	1
2	Arm shaft flanged bushing(front)	33T1-007D1	1
3	Arm shaft bushing oil pad(felt)	33T1-007D2	3
4	Arm shaft bushing set screw	J0.0.40	3
5	Arm shaft bushing(middle)	33T1-009E1	1
6	Arm shaft collar	22T3-002B1	1
7	Arm shaft collar set screw	22T3-002B2	2
8	Feed and feed lifting eccentric sleeve complete.	22T3-009D1a2	1
9	Feed and feed lifting eccentric	33T2-204-A	1
10	Feed and feed lifting eccentric set screw.	22T1-013	2
11	Arm shaft bevel gear	22T3-010E2a1-2	1
12	Bevel gear set screw	22T2-055B3	8
13	Bevel gear case (upper)complete	33T1-010F	1
14	Arm shaft bushing(rear)	33T1-011G1	1
15	Arm shaft bushing(rear)oil seal assembly	22T3-006F	1
16	Balance wheel	33T1-024	1
17	Balance wheel set screw	22T3-007C2	2
18	Arm shaft screw		1
19	Vertical shaft bevel gear(upper)	22T3-010E2a2-2	1
20	Vertical shaft bushing(upper)	33T1-025Q1	1
21	Vertical shaft bushing screw	J0.0.40	2
22	Vertical shaft bushing(lower)	33T1-023P1	1
23	Vertical shaft bevel gear(lower)	22T3-010E2b2-2	1
24	Rotating hook shaft bevel gear	22T3-010E2b1-2	1
25	Vertical shaft.	33T1-026	1

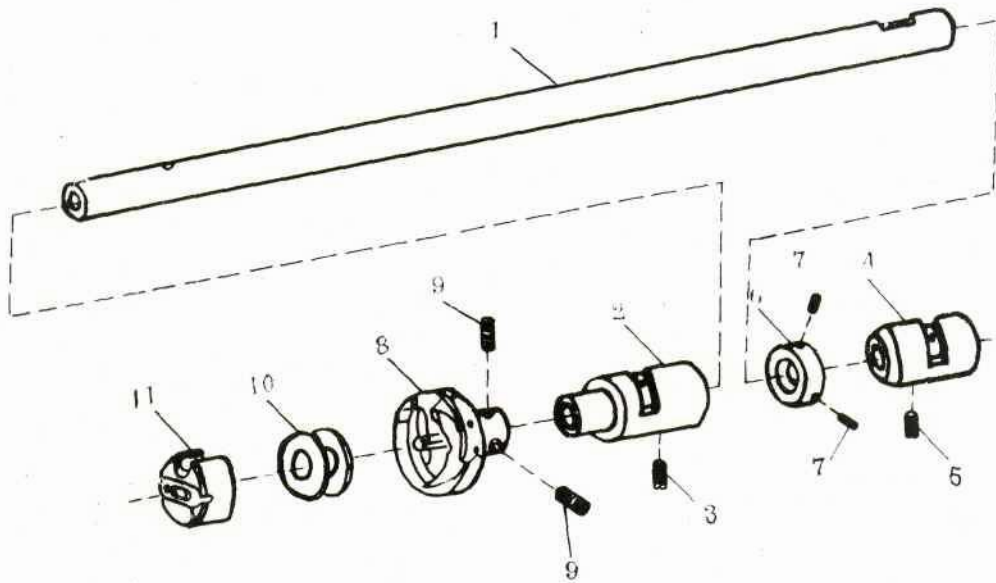
6.



6. Stitch Length Regulating

Item	Description	Part number	pcs
1.	Stitch length dial	33T2-012	1
2.	Stitch length adjusting screw bar	33T2-011	1
3.	Screw	22T5-006C3	1
4.	Rubber plug	22T5-007	1
5.	Stop pin	22T5-008	1
6.	Spring	22T5-009	1
7.	O-type ring		1
8.	Stitch length adjusting swing bar	33T2-203-A	1
9.	Set screw	17T5-010	1
10.	Hinge pin	33T5-009-A	2
11.	Screw	J0.0.81	1
12.	Stitch length link	33T2-025-A	1
13.	Pin	33T2-026-A	1
14.	Set screw	22T2-005B3	1
15.	Reverse feed swing lever complete	33T2-014C	1
16.	Screw	22T6-001A1b	1
17.	Shaft	37T2-216	1
18.	Screw	17T5-019	2
19.	Reverse feed lever	17T5-015	1
20.	Set screw	17T5-017	1
21.	Set screw	17T5-016	1
22.	Reset lever	33T2-017	1
23.	Screw	6A6-08A	1
24.	Coil spring	33T2-018	1
25.	Set hook	33T2-019	1
26.	Screw	22T2-006	1

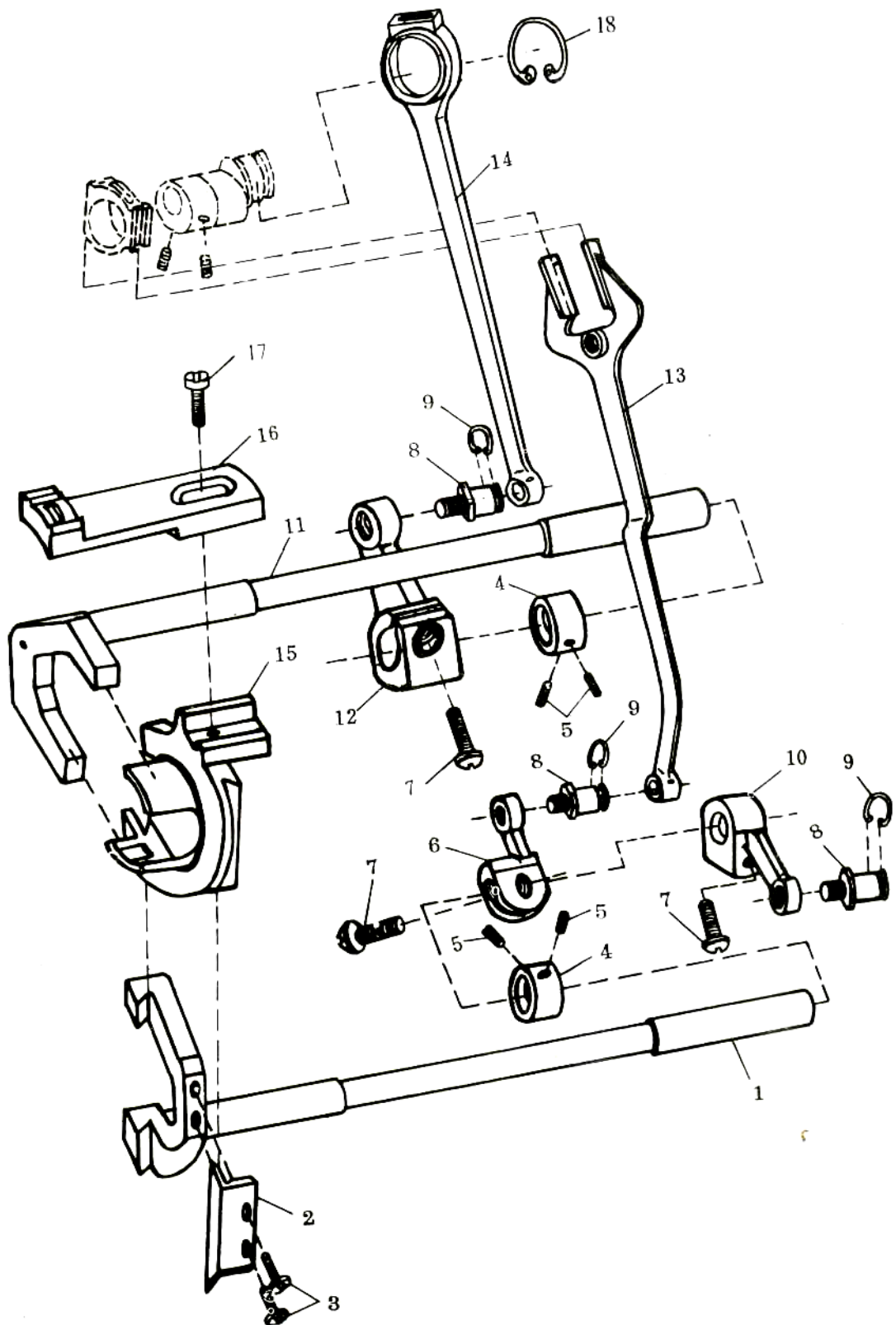
7.



7. Rotating Hook And Its Oscillating shaft

Item	Description	Part number	Pes
1	Rotating hook shall assembly	33T1-020L	1
2	Rotating hook shaft bushing(front)	37T1-101	1
3	Rotating hook shaft bushing(front) screw	J0.0.40	1
4	Rotating hook shaft bushing(rear)	37T1-103	1
5	Rotating hook shaft bushing(rear)screw	37T1-105	1
6	Rotating hook shaft collar	37T1-102	1
7	Rotating hook shaft collar set screw	22T2-013	2
8	Rotating hook assembly	37T1-104	1
9	Rotating hook set screw	37TI-104b	3
10	Bobbin	33T1-027	1
11	Bobbin case assembly	22T1-028R	1

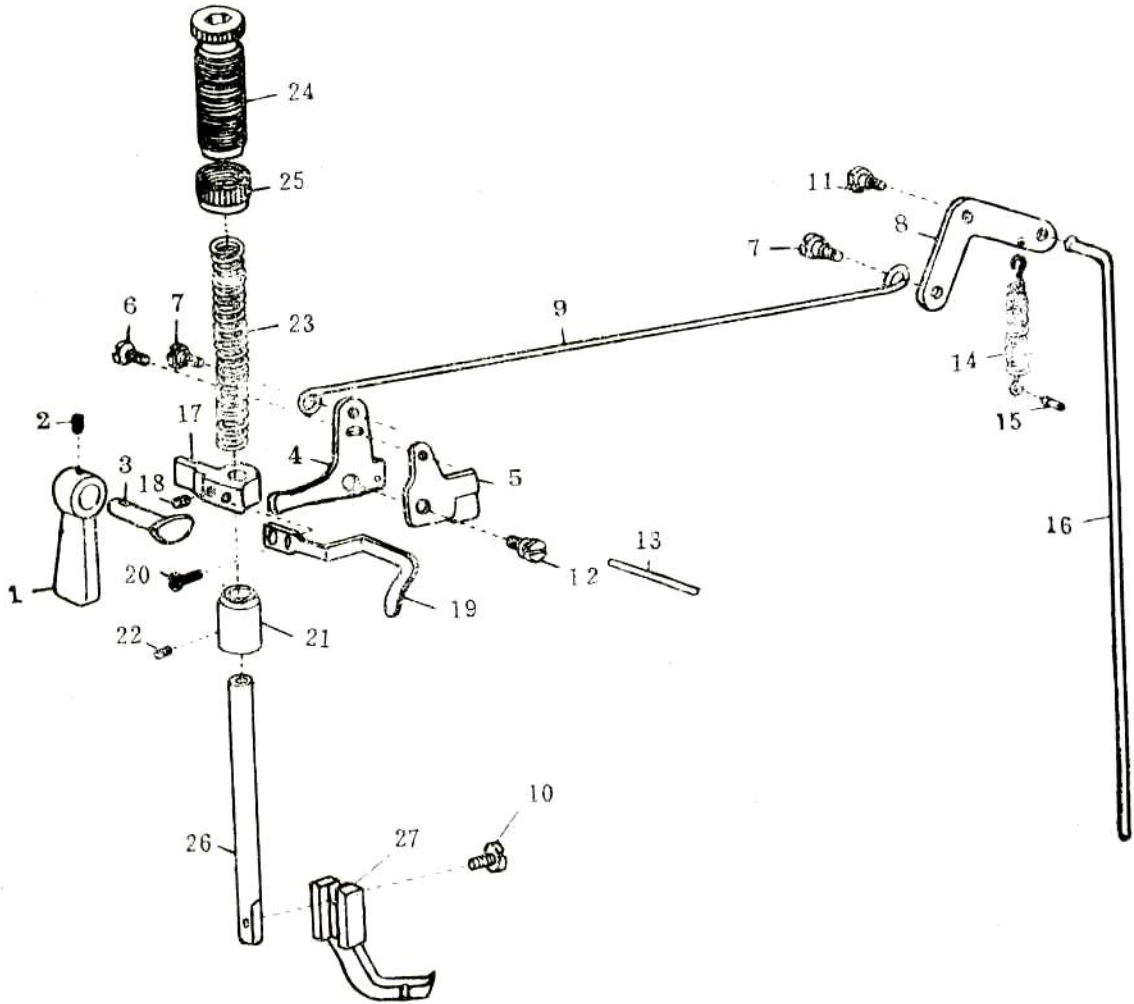
8.



8. Bottom Feed

Item	Description	Part number	Pes
1	Feed bar shaft	37T2-207	1
2	V—pressure plate	37T2-202	1
3	V—pressure plate set screw	37T2-203	2
4	Feed rock shaft and feed lifting rock shaft collar	37T2-208	2
5	Cellar screw	22T2-013	4
6	Feed rock shaft crank	37T2-212	1
7	Feed rock shaft crank set screw	37T2-210	3
8	Link connecting stud	37T2-213	3
9	Link connecting stud snap ring		3
10	Feed rock shaft crank	37T2-212	1
11	Feed liking rock shaft	37T2-201	1
12	Feed lifting rock shaft crank	37T2-209	1
13	Feed forked connection	37T2-202-A	1
14	Feed lifting rock shaft connecting rod assembly	37T2-201-A	1
15	Feed bar	37T2-206	1
16	Feed dog	37T2-205	1
17	Feed dog screw	37T2-204	1
18	Stop ring		1

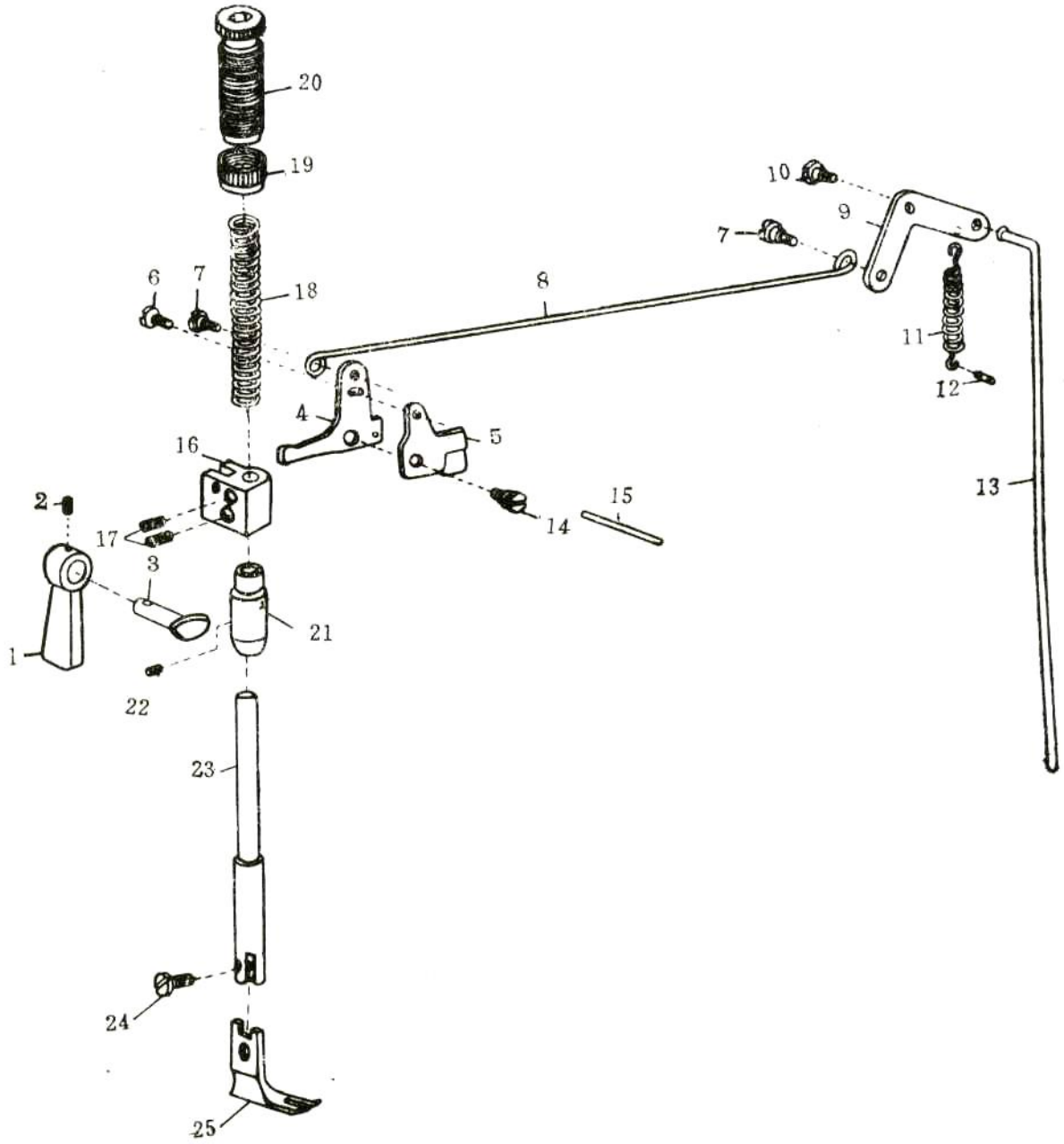
9.



9. Model GC2301 Presser Bar

Item	Description	Part number	Pes
1	Presser bar lifter	34T3-304	1
2	Presser bar lifter position screw	22T7-001A2	1
3	Presser bar lifting cam	33T3-004	1
4	Knee lifter bell crank(left)	22T7-004Bla	1
5	Tension releasing cam	22T7-004Blb	1
6	Knee lifter bell crank(left)screw.	22T7-004Blc	1
7	Knee lifter link hinge screw	22T7-004B2	2
8	Knee lifter bell—crank(right)	22T7-007C1	1
9	Knee lifter link	22T7-004B3	1
10	Presser foot screw	22T7-015	1
11	Knee lifter bell—crank(right)screw	22T7-005(B)	1
12	Tension releasing cam hinge screw	22T7-005(A)	1
13	Tension releasing rod	22T7-006	1
14	Knee lifter bell crank(right)spring	22T7-007C2	1
15	Knee lifter bell crank(right)spring connecting pin	22T7-008	1
16	Knee lifter bell crank	37T3-301	1
17	Presser bar guide bracket	22T7-011D1	1
18	Presser bar guide bracket set screw	22T1-013	1
19	Slack thread retainer	22T7-016	1
20	Slack thread set screw	22T2-004	1
21	Presser bar bushing	34T3-305	1
22	Presser bar bushing set screw	22T2-013	1
23	Presser bar spring	34T3-302	1
24	Pressure regulating thumb screw.	34T3-301	1
25	Pressure regulating thumb screw lock nut	22T7-014E2	1
26	Presser bar	34T3-303	1
27	Presser foot	34T3-306	1

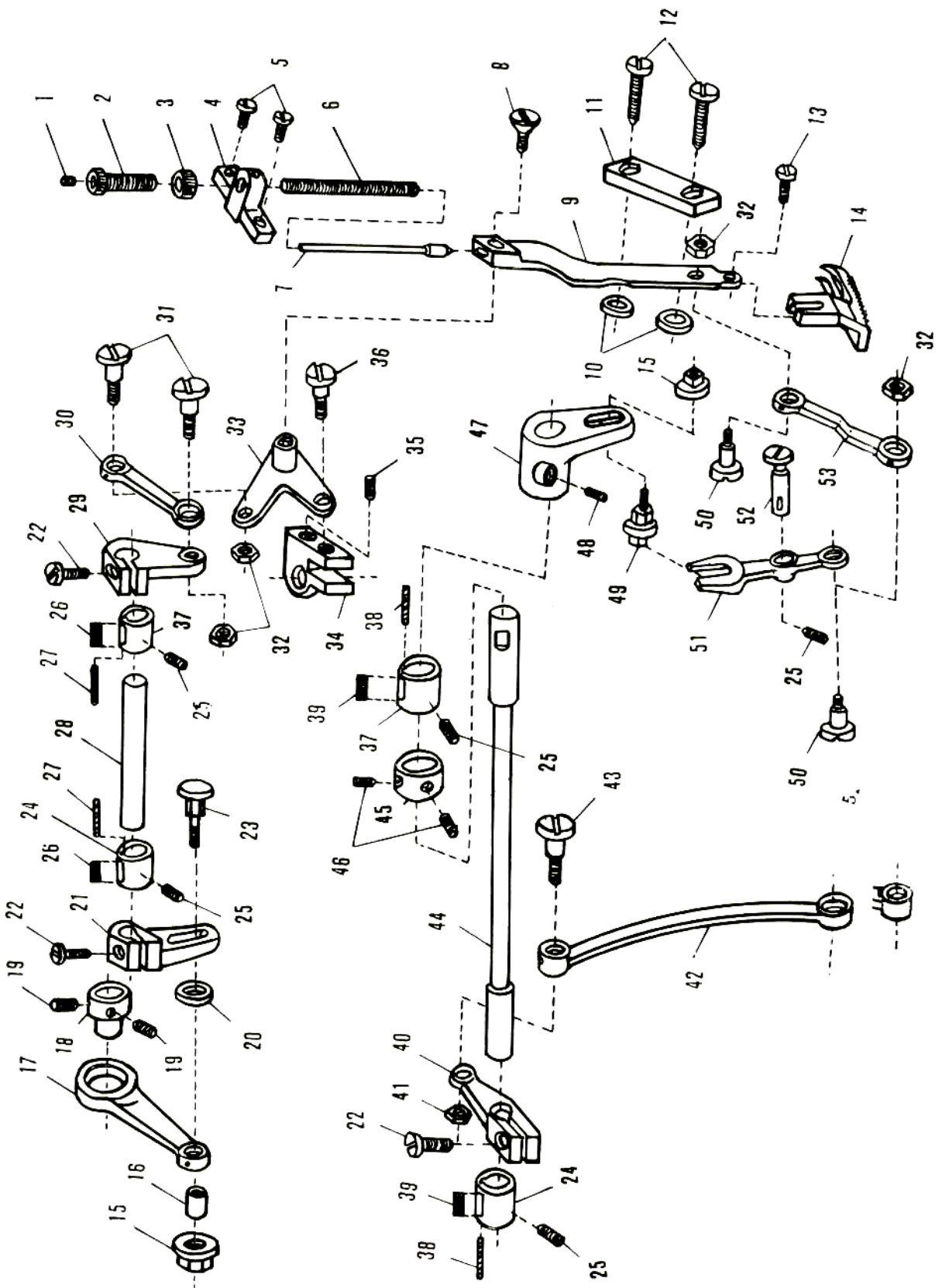
10.



10. GC2301PresserBar

Item	Description	Part number	Pes
1	Presser bar lifter	34T3-304	1
2	Presser bar lifter position screw	22T7-001A2	1
3	Presser bar lifting cam	33T3-004	1
4	Knee lifter bell—crank (left) screw	22T7-004B1a	1
5	Tension releasing cam	22T7-004B1b	1
6	Knee lifter bell crank (left) screw.	22T7-004B1c	1
7	Knee lifter link hinge screw	22T7-004B2	2
8	knee lifter link	22T7-004B3	1
9	Knee lifter bell crank (right)	22T7-007C1	1
10	Knee lifter bell crank (right)screw	22T7-005(B)	1
11	Knee lifter bell crank(right)spring	22T7-007C2	1
12	Knee lifter bell crank(right)spring connecting pin	22T7-008	1
13	Knee lifter link	37T3-301	1
14	Tension releasing cam hinge screw	22T7-005(A)	1
15	Tension releasing rod	22T7-006	1
16	Presser bar position block	35T3-301	1
17	Presser bar position block screw	J0.0.40	1
18	Presser bar spring	34T3-302	1
19	Presser regulating thumb screw lock nut	22T7-014E2	1
20	Presser regulating thumb screw	34T3-301	1
21	Pressure bar bushing.	35T3-303	1
22	Pressure bar bushing set screw	22T2-013	1
23	Presser bar	35T3-302	1
24	Presser foot set screw	22T2-019	1
25	Presser foot	35T3-304	1

11.

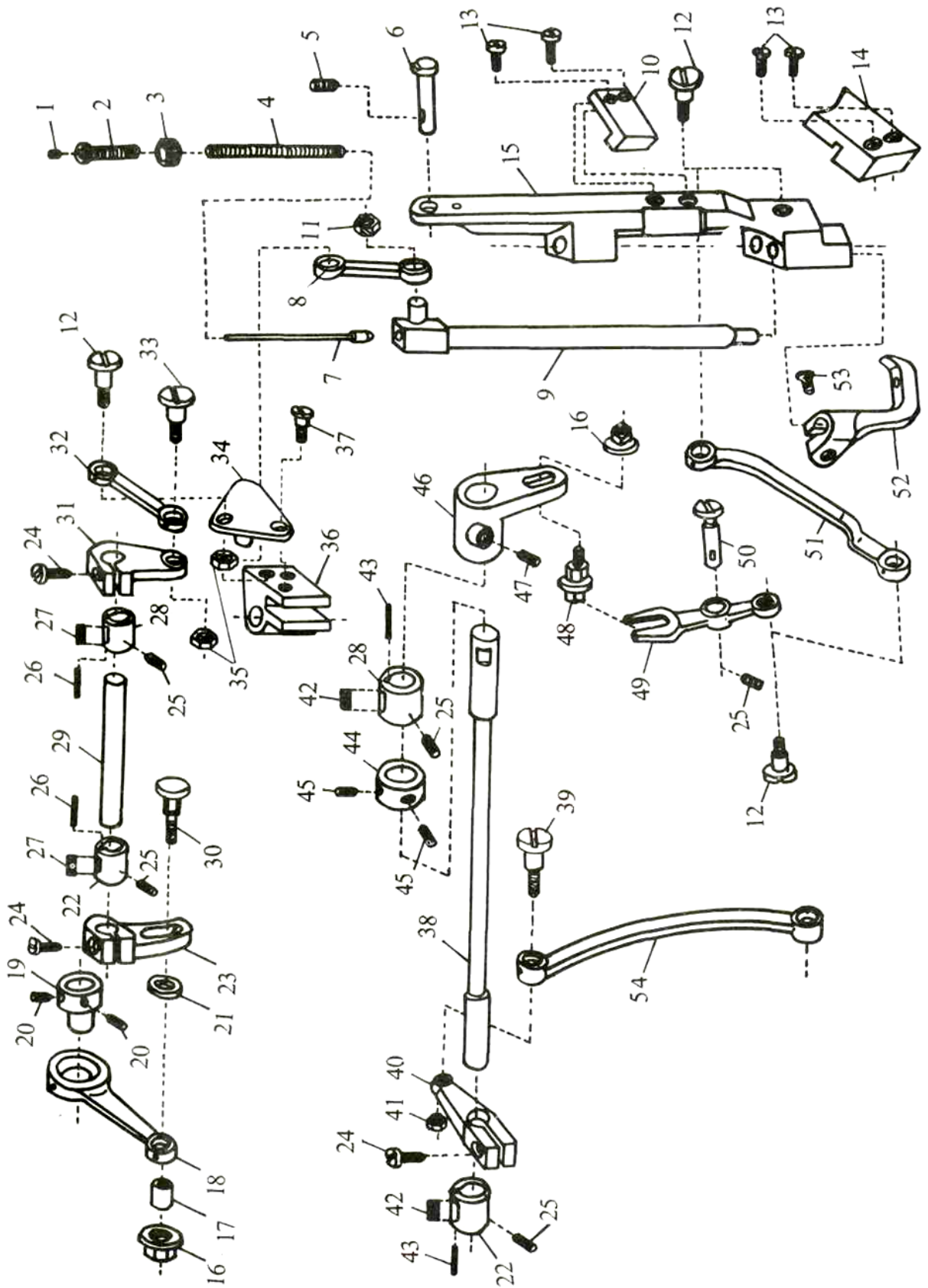


11. Model GC2301 Top Feed

Item	Description	Part number	pcs
1.	Walking Presser foot pressure regulating thumb screw wick.	35T5-501	1
2	Walking Presser foot pressure regulating thumb screw.	34T5-502	1
3.	Walking Presser foot pressure regulating thumb screw lock nut.	34T5-503	1
4.	Walking Presser foot pressure regulating thumb screw bracket.	34T5-504	1
5.	Walking Presser foot pressure regulating rod spring.	01/B504	1
6.	Walking Presser foot pressure regulating rod.	34T5-505	1
7.	Walking Presser foot pressure regulating thumb screw bracket screw	34T5-506	2
8.	Fulcrum screw	34T5-509	1
9.	Walking Presser foot link.	34T5-510	1
10.	Walking Presser foot guide way base plate.	34T5-511	2
11.	Walking Presser foot guide way.	34T5-512	1
12.	Walking Presser foot guide way screw.	34T5-525	2
13.	Walking Presser foot.	01/B316	1
14.	Walking Presser foot screw.	34T5-515	1
15.	Presser foot lift regulating screw nut.	34T5-518	2
16.	Presser foot lift regulating screw bushing.	34T5-519	1
17.	Presser foot lift regulating connecting rod.	34T5-520	1
18.	Presser foot lift eccentric.	34T5-516	1
19.	Presser foot lift eccentric set screw.	01/B602	2
20.	Washer	34T5-521	1
21.	Presser foot lift rear crank.	34T5-517	1
22.	Presser foot lift rear crank clamping screw.	34T5-540	3
23.	Presser foot lift regulating screw.	34T5-522	1
24.	Oil pad	34T5-536a	2
25.	Presser foot lift and walking shaft bushing.	J0.0.35	1/1
26.	Thread take—up lever link oil wick	34T5-536b	2
27.	Presser foot lift and walking shaft bushing set screw.	34T5-536c	5
28.	Presser foot lift shaft.	34T5-537	1
29.	Presser foot lift shaft front crank.	34T5-535	1
30.	Presser foot lift connecting rod.	34T5-534	1
31.	Presser foot lift and walking hinge screw.	34T5-507	2
32.	Nut	34T5-508	4
33.	Presser foot lift bell crank.	34T5-526	1
34.	Presser foot lift position block.	34T5-528	1

Item	Description	Part number	pcs
35.	Presser foot position block set screw	01/B308	1
36.	Presser foot bell crank hinge screw	34T5-527	1
37.	Thread take—up lever link oil wick	01/B538a	2
38.	Oil par	34T5-538c	2
39.	Presser foot lift and walking rear shaft bushing	34T5-538b	2
40.	Walking presser foot rear crank.	34T5-523	1
41.	Walking presser foot connecting rod hinge screw nut.	61-04-01/B06	1
42.	Walking presser foot connecting rod.	37T5-501	1
43.	Walking presser foot connecting rod hinge screw.	17T4-002	1
44.	Walking presser foot walking shaft.	34T5-539	1
45.	Walking presser foot walking shaft collar.	34T5-532	1
46.	Walking presser foot walking shaft collar set screw.	22T3-002B2	2
47.	Walking presser foot front crank.	34T5-533	1
48.	Walking presser foot front crank set screw.	01/B902	1
49.	Walking presser foot slide block assembly.	34T5-531	1
50.	Presser foot lift and walking hinge screw.	34T5-529a	2
51.	Walking presser foot forked connection.	34T5-529	1
52.	Walking presser foot forked connection stud.	34T5-530	1
53.	Walking presser foot walking connection rod.	34T5-514	1

12.

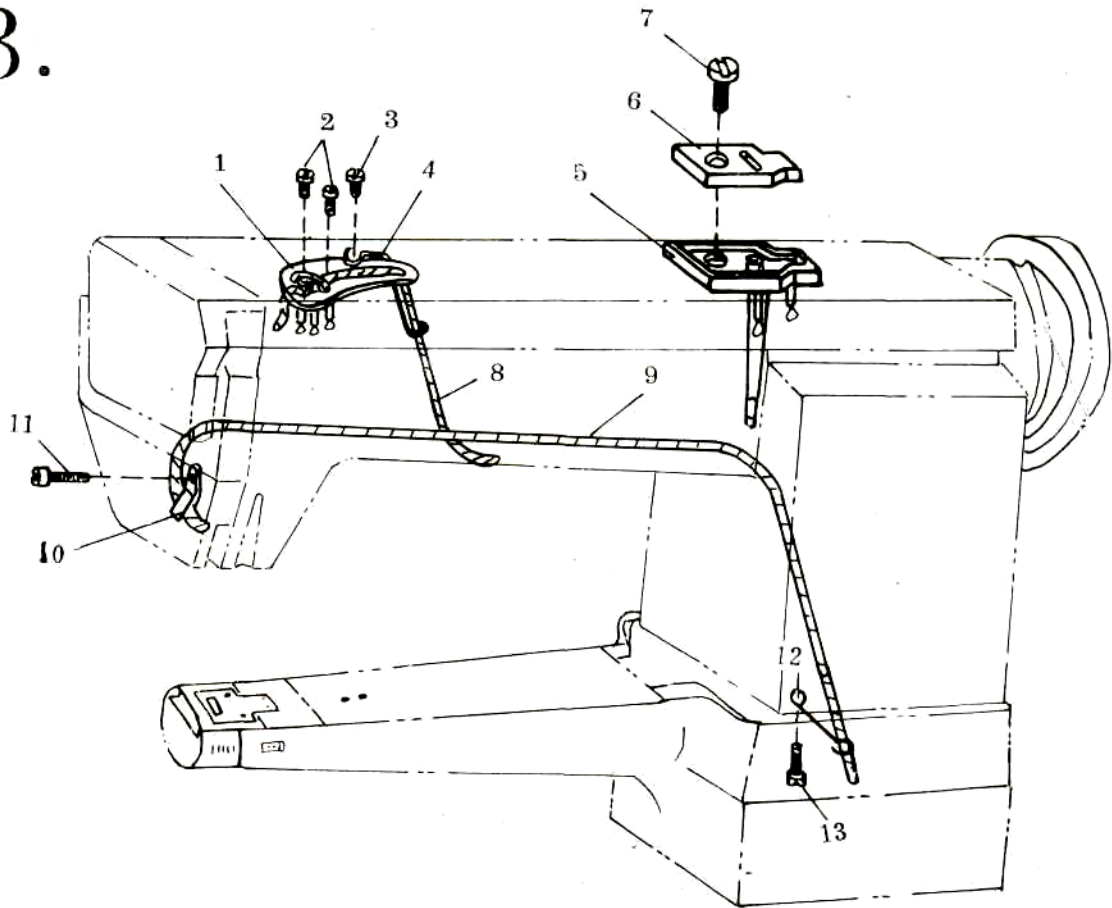


12. Model GC2603 Top Feed

Item	Description	Part number	pcs
1.	Oil felt	34T5-501	1
2.	Screw	35T5-503	1
3.	Nut	34T5-503	1
4.	Press bar spring	35T5-501	1
5.	Screw	J0.0.40	1
6.	Needle bar move stand shaft	35T5-504	1
7.	Spring bar	35T5-505	1
8.	Presser foot up and down link	35T5-507	1
9.	Connector	35T5-509	1
10.	Slot for slide block	35T5-513	1
11.	Slide block	33T1-013	1
12.	Screw	34T5-507	3
13.	Screw	22T2-019	4
14.	Rail block	35T5-511	1
15.	Needle bar move stand	354T5-510	1
16.	Nut	34T5-531c	2
17.	Washer	34T5-519	1
18.	Link	34T5-520	1
19.	Presser foot up and down eccentric	34T5-516	1
20.	Screw	01/B602	2
21.	Washer	34T5-521	1
22.	Rear bushing	34T5-536a	2
23.	Rear crank	34T5-517	1
24.	Screw	34T5-540	3
25.	Set screw	J0.0.35	5
26.	Cotton wick	34T5-536c	2
27.	Oil felt	34T5-536b	2
28.	Front bushing	34T5-538a	2
29.	Presser foot up and down shaft	34T5-537	1
30.	Screw	34T5-522	1
31.	Front crank	34T5-535	1
32.	Link	34T5-534	1
33.	Bolt	34T5-513b	1
34.	Presser foot up and down lever	35T5-506	1
35.	Nut	34T5-506	2
36.	Presser bar set block	35T5-301	1
37.	Bolt	34T5-527	1
38.	Needle bar move shaft	34T5-539	1
39.	Screw	17T4-002	1
40.	Rear crank	34T5-523	1

Item	Description	Part number	pcs
41.	Screw	61-04-01/B06	1
42.	Felt	34T5-538b	2
43.	Cotton wick	34T5-538c	2
44.	Collar	34T5-532	1
45.	Screw	22T3-002B2	2
46.	Front crank for needle bar move	34T5-533	1
47.	Screw	01/B902	1
48.	Slide block complete	34T5-531	1
49.	Fork bar	34T5-529	1
50.	Pin	34T5-530	1
51.	Needle bar move link	34T5-512	1
52.	Small presser foot	35T5-502	1
53.	Screw	35T5-503	1
54.	Swing presser foot link	37T5-501	1

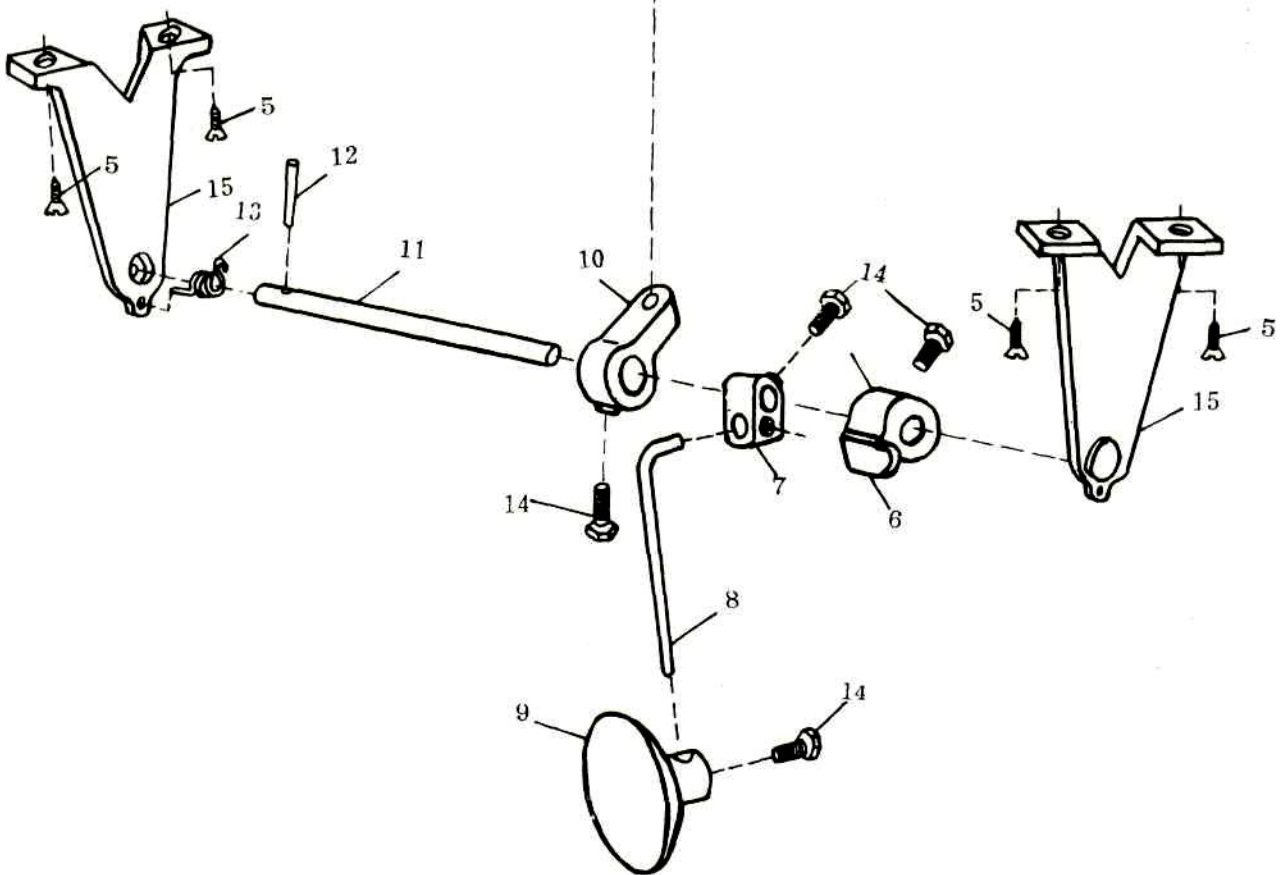
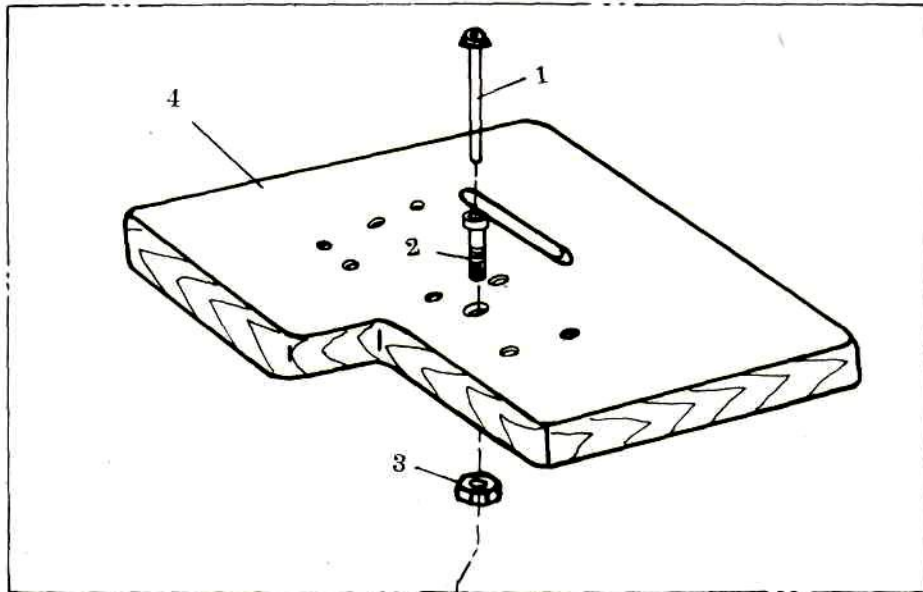
13.



13. Lubrication

Item	Description	Part number	Pes
1	Oil wick fixing plate assembly	22T8-001C	1
2	Oil wick fixing plate screw	22T8-012	2
3	Oil wick fixing hook screw	22T8-011C4	1
4	Oil wick fixing hook	22T8-011C5	1
5	Small oil reservoir	22T4-011B1	1
6	Small oil reservoir oil pad	33T4-005B3	1
7	Small oil reservoir screw	33T4-005B2	1
8	Oil wick of oil wick fixing plate	22T ₄ -0113	1
9	Long oil wick		1
10	Long oil wick clamp	22T8-016]
11	Long oil wick clamp screw	22T2-004	1
12	Long oil wick fixing hook	33T4-010	1
13	Long oil wick fixing hook screw	22T2-004	1

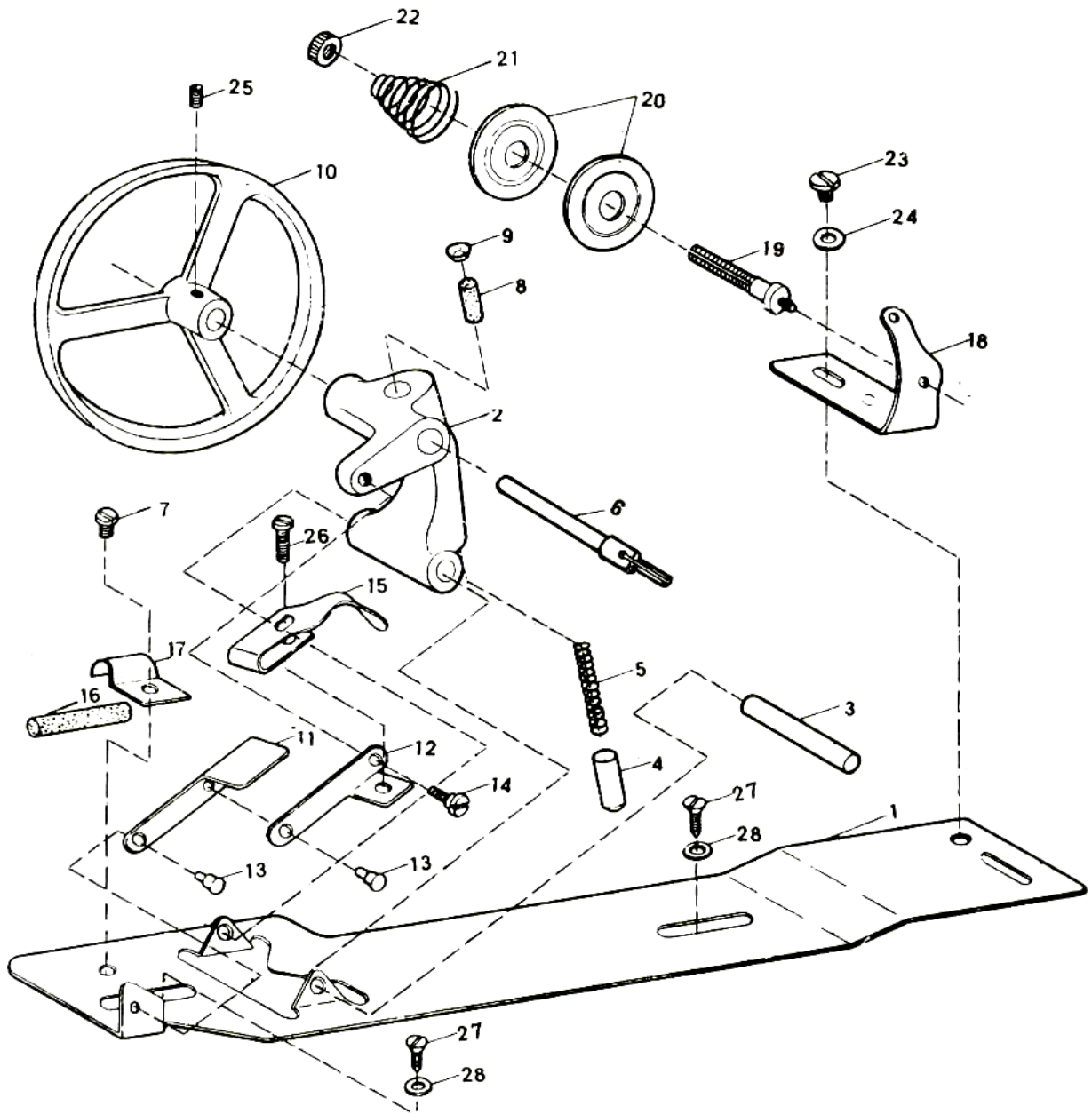
14.



14. Knee Lifter

Item	Description	Part number	Pes
1	Knee lifter pushing rod	37T6-601	1
2	Knee lifter pushing rod screw	37T6-602	1
3	Hexagon nut		1
4	Table	37T7-701	1
5	Round head wood screw		4
6	Knee lifter rock shaft stop dog	33T5-001E1	1
7	Knee lifter bell crank joint	33T5-005	1
8	Knee lifter bell crank	33T5-009	1
9	Knee lifter knee plate assembly	32T6-010F	1
10	Knee lifter lifting crank	33T5-005	1
11	Knee lifter rock shaft	33T5-007E1	1
12	Knee lifter rock shaft spring pin		1
13	Knee lifter rock shaft spring	33T5-006	1
14	Knee lifter knee plate set screw		4
15	Knee lifter rock shaft bracket	33T5-005	1

15.



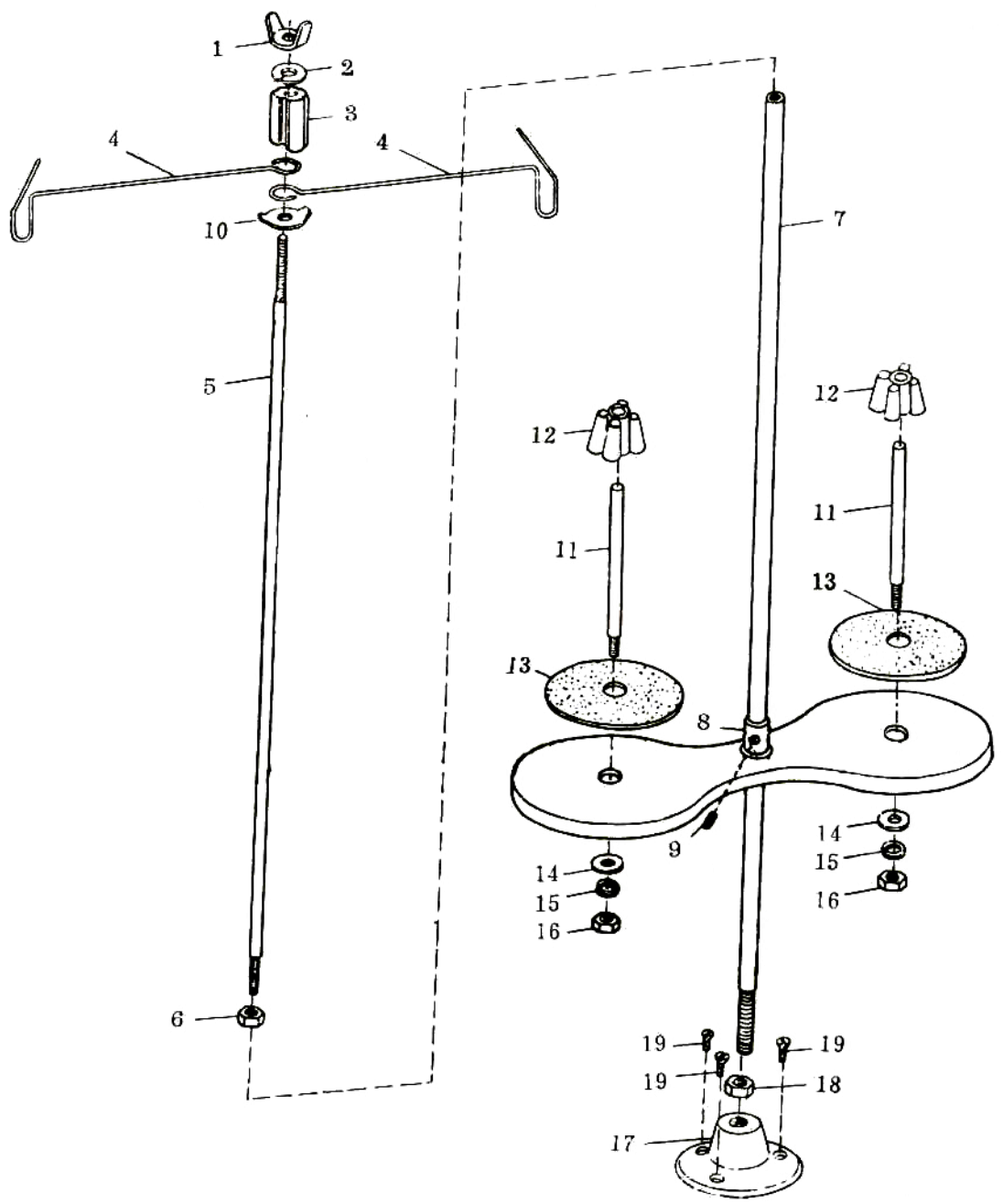
15. Bobbin Winder

Item	Description	Part number	Pes
1	Bobbin winder case	17T1-001	1
2	Bobbin winder frame	17T7-002	1
3	Bobbin winder frame hinge pin	17T7-003	1
4	Bobbin winder spring plunger	17T7-004	1
5	Bobbin winder plunger spring	17T7-005	1
6	Bobbin winder spindle	22T9-006D1	1
7	Bobbin winder brake stripe clamp ring screw	61-04-01/B310	1
8	Bobbin winder frame oil wick		1
9	Bobbin winder frame oil wick cap	17T7-008	1
10	Bobbin winder pulley	17T7-009	1
11	Bobbin winder stop latch thumb lever	17T7-010	1
12	Bobbin winder stop latch trip lever	17T7-011	1
13	Bobbin winder rivet	17T7-012	1
14	Bobbin winder stop latch trip lever hinge	17T7-013	1
15	Bobbin winder stop latch	33T6-001	1
16	Bobbin winder brake stripe	17T7-018	1
17	Bobbin winder brake stripe clamp	17T7-015	1
18	Bobbin winder tension bracket	17T7-016	1
19	Bobbin winder tension stud	17T7-017	1
20	Bobbin winder tension disc	J2.2.4	2
21	Bobbin winder tension spring	8A2-075	1
22	Bobbin winder tension stud thumb nut	61-04-01/B3/ZI	1
23	Bobbin winder tension bracket screw	N3-7-27	1
24	Washer	BQ10014	1
25	Bobbin winder pulley set screw	61-04-01/B4/ZI-06	1
26	Bobbin winder stop latch screw	3A1-04	1
27	Bobbin winder wood screw		2
28	Washer		2

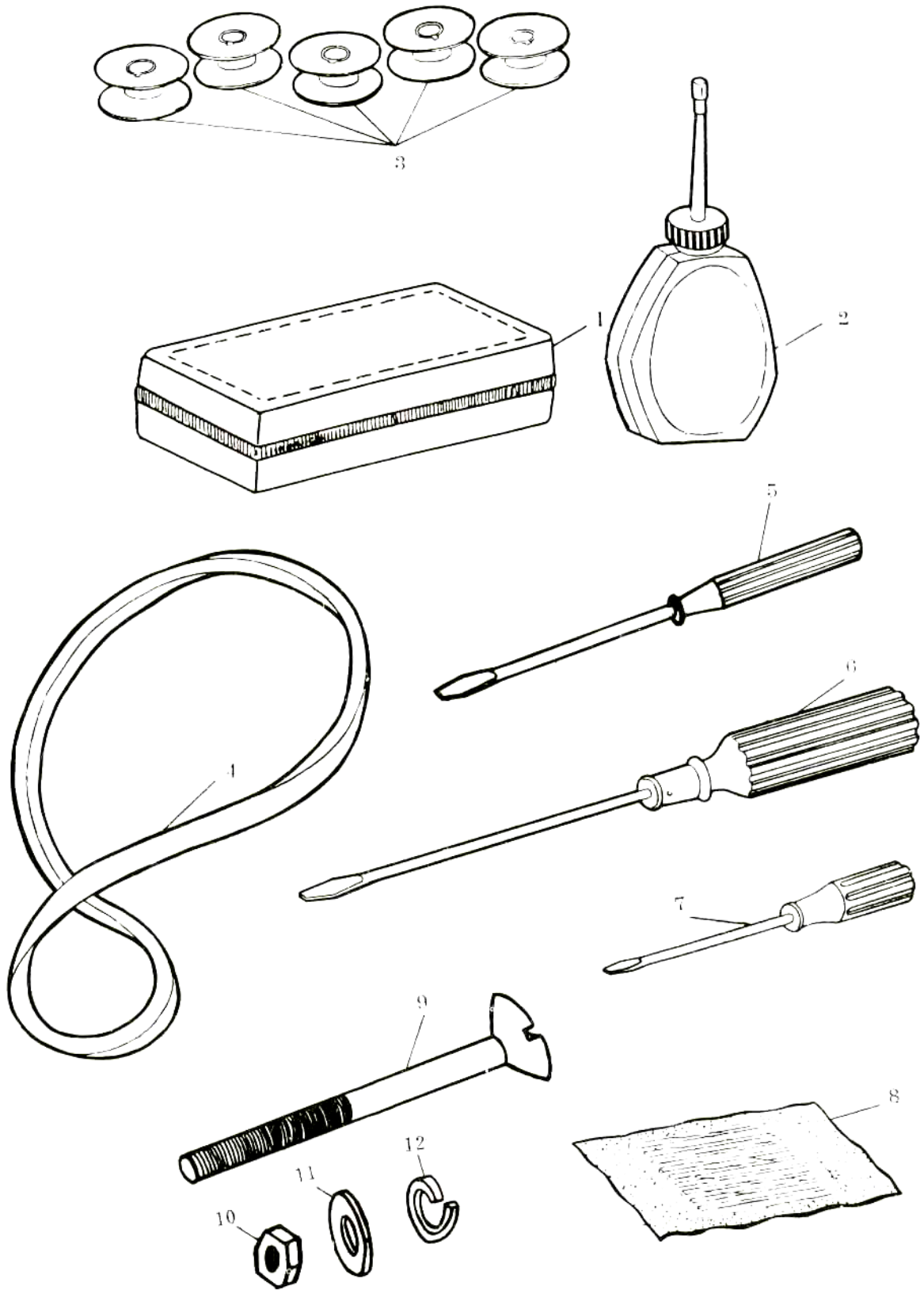
16. Thread unwinder

Item	Description	Part number	Pes
1	Wing nut	22T9-007E1	1
2	Spring wrsher	22T9-007E2	1
3	Thread guide position cap	22T9-007E3	1
4	Thread guide	22T9-007E4	2
5	Thread guide rod	22T9-007E5	1
6	Thread guide rod nut	22T9-007E6	1
7	Spool rest rod	22T9-007E7	1
8	Spool rest rod sleeve	22T9-007E8a	1
9	Spool rest rod sleeve set screw	22T9-007E8b	1
10	Thread guide position plate	22T9-007E9	2
11	Spool pin	22T9-007E11	2
12	Spool stand	22T9-007E10	2
13	Felt pad	22T9-007E12	2
14	Spool pin washer	22T9-007E13	2
15	Spool pin lock washer	22T9-007E14	2
16	Spool pin nut	22T9-007E15	1
17	Spool stand	22T9-007E16	1
18	Spool rest rod	22T9-007E17	1
19	Spool stand wood screw	22T9-007E18	3

16.



17.



17. Accessories

Item	Description	Part number	Pes
1	Accessory box		1
2	Oil can	33TF-011	1
3	Bobbin	33T1-027	5
4	Triangle belt		1
5	Small plastic screw driver	33TF-013	1
6	Thin wooden screw driver	33TF-012	1
7	Wooden screw driver	33TF-014	1
8	Needle		1
9	Screw		4
10	Nut		4
11	Washer		4
12	Spring washer		4